



GUIDE US

THE WAY!

Laying and routing

www.don-quichotte.com



Don Quichotte®



Professional craftspeople are expected to react quickly and flexibly. We offer you a wide range of appropriate high-quality products, which are narrowed down to four categories:

Hardware

Electrical installation

Sanitary installation

Building, e.g. drywall construction

Professional craftspeople are expected to react quickly and flexibly. We offer you a wide range of appropriate high-quality products, which are narrowed down to four categories:

1. Fastening and supporting

2. Connecting and distributing

3. Laying and routing

4. Preventing and protecting

Table of contents

3 Laying and routing 15

Push-in clips, cable discs, cable clips, pipe clips,
cable clamps, pressure clips, profile rails, U-clamps



Super craftsmen - Not all heroes wear capes

Do you know the story of Don Quichotte? The main character in the novel written by the Spanish author Miguel de Cervantes is anything but a noble hero. Again and again, Don Quichotte encounters remarkable situations, like his famous fights against the windmills. However, his passion for chivalry and his pursuit of doing the right thing, makes him our everyday hero. To those who live their own ideals with dedication. Just as we do everyday. With us, you can become a hero too! With Don Quichotte your strong, reliable trade brand

Founded in 1921, today we are a world market leader in hardened steel nails.

We are convinced that even the most plain products have to be made with a maximum of passion, precision and idealism to be suitable for real craftsmen. Because a nail isn't just a nail, and a dowel isn't just a dowel!

We always develop our products with the latest innovations to ensure maximum quality, safety and reliability. This guarantees everything keeps running smooth on construction sites all over the world. Each and every craftsman using our products instantly becomes an everyday hero.

Super craftsmen - Not all heroes wear capes



Verlegen und Führen 2020 / en / 2021/04/14 08:59:18 08:59:18 (LLEExport_04739) / 2021/04/14 08:59:3



Don Quichotte - an everyday hero living with dedication and his own ideals



Super craftsmen use Don Quichotte fixings



You can rely on it!

Professional work requires professional products. Our concept: Quality, additional benefits, fair price. This ensures both quick, user-friendly mounting and maximum economy. You can rely on it!

1. QUALITY

Don Quichotte products stand for the highest level of reliability. The quality necessary for this is created using state-of-the-art production systems and conscientious quality control.



2. ELABORATE PRODUCTS

With over 90 years of experience in the industry, our users can benefit from innovative products with added value.



3. TIME SAVINGS

Time is money! The high quality and easy fixing products allow effective, rapid work and therefore ensure the highest level of economy.



4. PROFITABILITY

Don Quichotte offers you the best quality at a fair price.

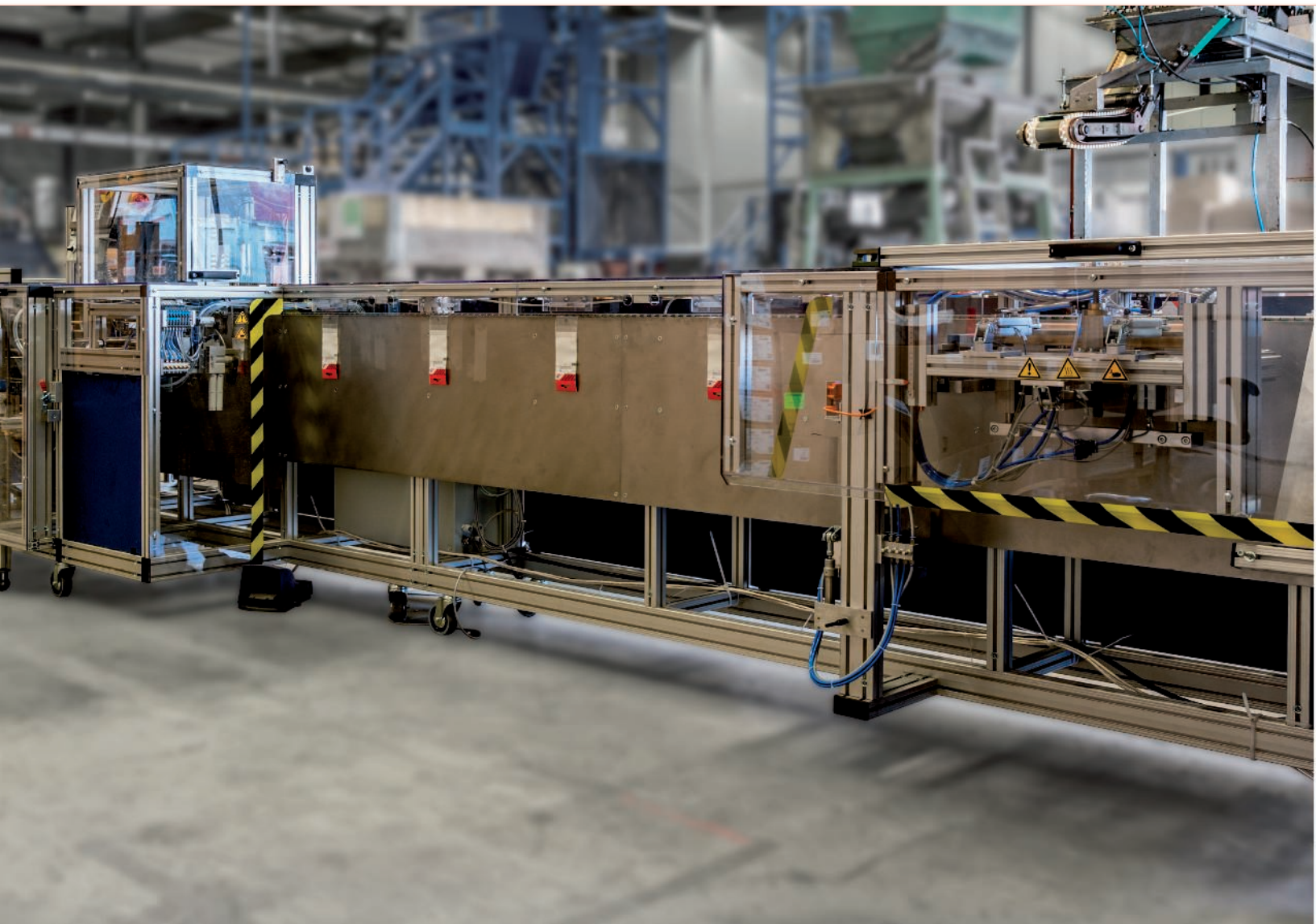


5. SERVICE

Short-term availability and direct order processing mean that we are able to help you as a strong, reliable and competent partner.







individual - flexible - fast

With our new Plug & Pack bag machine new standards are set. Everything is done by one machine only. From labelling, up to filling and sealing of the bags. The packing of our products can now be done internally, - simple, fast and flexible. There are seven different bag sizes to choose from. Smaller product quantities can now be packed easily and the products are visible. The reinforced headers of the bags enable a perfect presentation of the product on its "Point of Sale" We do not stop, but evolve steadily.





Over 90 years of manufacturing competence

Fastening and installation systems for everyday work. High-quality, quick, time-saving mounting. Those are the hallmarks of the Don Quichotte brand.

Over 90 years of manufacturing experience, an excellent knowledge of the industry and rapid order processing make Don Quichotte your strong, reliable brand.



Production in Helmond, The Netherlands



In house tool production



High bay warehouse



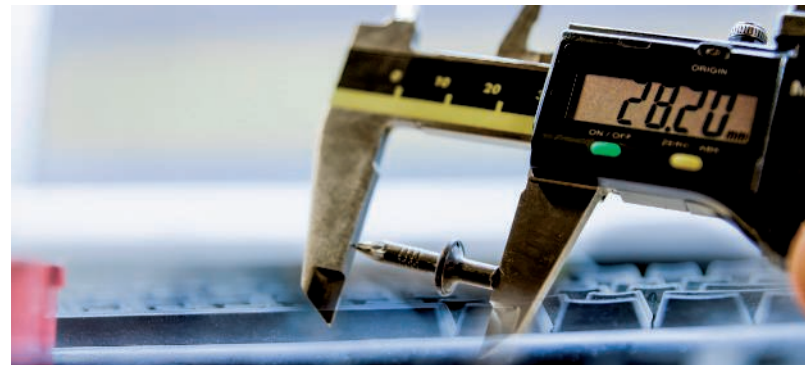
Sustainability at Don Quichotte

Our responsibility

We at Don Quichotte like to live on this earth - and we want it to stay with us for as long as possible. That is why we consider sustainable business to be particularly important. Our corporate success should not be at the expense of nature or man. Instead, we want to generate our profits in an environmentally and socially responsible way. Because we do not only see quick successes, but long-term perspectives - for our company, our employees and our environment.

For our environment

At Don Quichotte, we systematically work to improve our environmental management. By complying with the ISO 14001 environmental certificate, we are committed to continuously improving the environmental performance of our company and avoiding environmental pollution. This includes, for example, improving our professional recycling management and reducing waste wherever possible. Professional and efficient work makes sense on all levels. Only this results in quality products and satisfied customers. The quality certificate ISO 9001 proves that we optimize our processes sustainably, in order to deliver the best results in the end.



08:59:31

For our employees

Our employees are our highest asset. Taking care that they feel comfortable with us, is found natural! In accordance with OHSAS 18001 health and safety certification, we ensure the best possible working conditions and a safe working environment. In addition, we support our employees in many health issues, for example, take over 50% of the cost of sports programs and promote the use of physiotherapy and osteopathy.

For our fellow human beings

If our company, our colleagues and our environment are doing well, are we all doing well? At Don Quichotte, we also look beyond our own world! We regularly support social projects and clubs in our area. For example, our long-term cooperation with the social supermarket "Super Social" helps people in need to find cheap and useful shopping opportunities.



GUIDE US

THE WAY!



3 Laying and routing

Push-in clips, hooks and loops	16
Cable clip, pipe clip, pipe clamp	22
Iso pressure and grip clip	40
Nylon or metal pipe clip	42
Cable clamp	50
Pressure clip	55
Profile rail and U-clamp	59

Push-in clip

CHARACTERISTIC:

- Quick and easy fixing, simply insert the Push-in clip by hand
- No screwing
- No knocking-in
- Multiple diameters can be fastened simultaneously

TECHNICAL DATA:

- Plastic, halogen and silicone-free
- Colour: Grey (RAL7035)
- Temperature resistance:
 - 80 °C, long-term
 - 130 °C, short-term
 - -10 °C during mounting
 - -40 °C during use
- Flame-resistant to UL 84 HB
- UV-resistant. The product can be used under UV-radiation in both dry and warm as well as in humid and warm climates for at least 5 years, without any loss in the use properties



Push-in clip STD (OZ054)

STD is a double clip for fixing one or two cables of 4–12 mm diameter. STD can be inserted into a 6 mm drill hole by hand without tools.

Polyamide

Type	Colour	For cable Ø mm	Bore hole diameter mm	Contents PU pcs	Weight kg/PU	Shipping box PU	Item No.
OZ054 Ø6 4-12	Light grey	4.00-12.00	6.00	200	0,30	20	954 92 2

CHARACTERISTIC:

- Cables can be fixed quickly through simple insertion in the pre-drilled hole
- Drill hole diameter of 6 or 8 mm, depending on version
- Version with single or double clip

Push-in clip STH \varnothing 8 mm (OZ078)

A push-in clip to fix a cable or a installation pipe of 16 oder 20mm diameter. STH can be inserted into a 8mm drill hole by hand without tools.

Polyamide

Type	Colour	For pipe \varnothing mm	Bore hole diameter mm	Contents PU pcs	Weight kg/PU	Shipping box PU	Item No.
OZ078 STH 8 16	Grey	16	8.00	100	0,68	16	955 12 7
OZ078 STH 8 20	Grey	20	8.00	100	0,74	16	955 12 8



Push-in clip STHD \varnothing 8 mm (OZ078)

A double clip for fixing one or two cables or installation pipes of 16–20 mm diameter. STHD can be inserted into a 8 mm drill hole by hand without tools.

Polyamide

Type	Colour	For pipe \varnothing mm	Bore hole diameter mm	Contents PU pcs	Weight kg/PU	Shipping box PU	Item No.
OZ078 STHD 8 16	Grey	16	8.00	100	0,75	16	955 12 9
OZ078 STHD 8 20	Grey	20	8.00	100	1,00	12	955 13 0



Push-in clip

CHARACTERISTIC:

- Quick and easy fixing by hand pushing
- High pull-out values
- Suitable for stone, concrete, hollow brick, calcareous sandstone and gas concrete
- Drill the hole and simply push in

TECHNICAL DATA:

- Plastic, halogen and silicone-free
- Colour: Grey (RAL7035)
- Temperature resistance:
 - 80 °C, long-term
 - 130 °C, short-term
 - -10 °C during mounting
 - -40 °C during use
- Flame-resistant to UL 84 HB
- UV-resistant. The product can be used under UV-radiation in both dry warm, and humid warm, climates for at least 5 years, without any loss in the use properties



Push-in clip STS, straight (OZ050)

Push-in clip for fixing cables with Ø 3 mm to Ø 13 mm.
 Drill a 6 mm hole with a depth of 35 mm to 65 mm, depending on the Ø and the quantity of cables.
 Insert the push-in clip loop by hand without tools.
 Strong fastening for cables, individually or bundled.
 To be used in various undergrounds.

Polyamide

Type	Colour	Bundle ø, max. mm	Contents PU pcs	Weight kg/PU	Shipping box PU	Item No.
OZ050 STS 13	Light grey	13.00	200	0,15	16	932 09 0



Push-in clip STS, curved (OZ050)

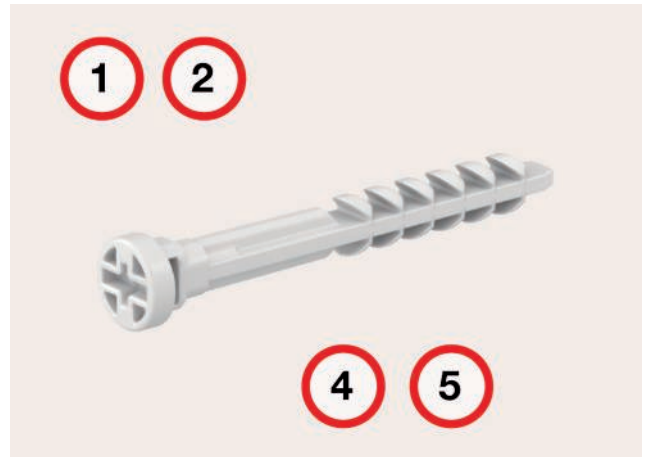
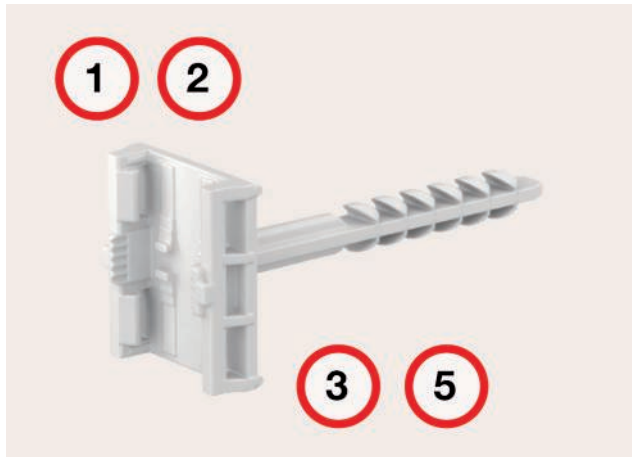
Push-in clip for fixing cables with Ø 13 mm to Ø 40 mm (depending on the type).
 Drill a 6 mm hole with a depth of 35 mm to 65 mm, depending on the Ø and the quantity of cables.
 Insert the push-in clip loop by hand without tools.
 Strong fastening for cables, individually or bundled.
 To be used in various undergrounds.

Polyamide

Type	Colour	Bundle ø, max. mm	Contents PU pcs	Weight kg/PU	Shipping box PU	Item No.
OZ050 STS 28	Light grey	28.00	100	0,11	12	932 09 1
OZ050 STS 40	Light grey	40.00	50	0,08	12	932 09 2

Push-in clip dowel

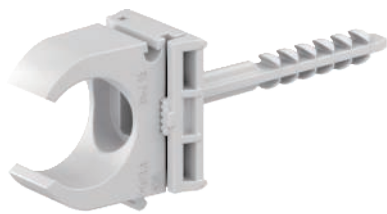
The proven way of easy mounting Snap-on pipe clip by hand



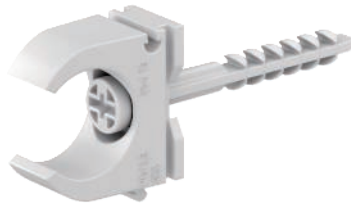
All major advantages at a glance:

1. Quick and easy mounting by hand without tools
2. Simply drill 6 mm hole and push the dowel in
3. Push-in dowel combines plug and screw, no screwing = time saving
4. The Snap-on pipe clip can be clicked on the dowel before or after mounting.
5. Easy dismounting, simply unscrew

Application / assembly



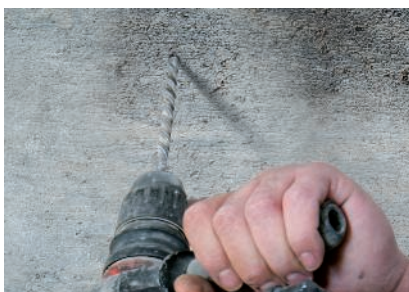
Click-on mounting



Push-through mounting



Cable tie mounting



Drilling



Push in ...



.. or Push-through

Push-in dowel

Charateristic:

- Quick and easy to mount by hand on walls or ceilings, without use of tools
- Drill a 6 mm hole and simply insert the dowel by hand
- The push-in dowel combines plug and screw and is a time saving application, no screwing needed
- A Snap-on pipe clip can be clicked on the push-in dowel before or after mounting
- Easy releasable, simply turning it out of the hole

Material:	Polyamide 6.6
Colour:	Grey, RAL 7035
Operation Temperature:	-20 °C. up to +85 °C.
Max. Load: (tested with OPDZ 20mm pipe)	298N in Concrete 268N in Solid brick 274N in Hollow brick 131N in Cellular concrete 197N in Plasterboard



Push-in dowel (PG045)

The proven method to easily mount a Snap-on pipe clip by hand.

Polyamide

Type	Colour	Shank-Ø mm	Shank length mm	Bore hole diameter mm	Contents PU pcs	Weight kg/PU	Shipping box PU	Item No.
PG045 AM 6*25 mm	Light grey	5.50	25.00	6.00	100	0,16	12	905 20 0



Push-in dowel (PG046)

The proven method to easily mount a Snap-on pipe clip by hand.

Polyamide

Type	Colour	Shank-Ø mm	Shank length mm	Bore hole diameter mm	Contents PU pcs	Weight kg/PU	Shipping box PU	Item No.
PG046 AM 6*50 mm	Light grey	5.50	50.00	6.00	100	0,16	12	905 20 1

Charateristic:

- Quick and easy to mount by hand on walls or ceilings, without use of tools
- Drill a 6 mm hole and simply insert the dowel by hand
- The push-through dowel combines plug and screw and is a time saving application, no screwing needed
- Besides using it to mount Snap-on pipe clips, the dowel also can be used combined with cable ties. Max. dimension 5 x 2 mm (WxH)
- Easy releasable, simply turning it out of the hole

Material:	Polyamide 6.6
Colour:	Grey, RAL 7035
Operation Temperature:	-20 °C. up to +85 °C.
Max. Load: (tested with OPDZ 20mm pipe)	360N in Concrete 324N in Solid brick 331N in Hollow brick 144N in Cellular concrete 217N in Plasterboard

Push-through dowel (PG047)

The proven method to easily mount a Snap-on pipe clip by hand or with the ease of use of a cable tie.

Polyamide

Type	Colour	Shank-Ø mm	Shank length mm	Bore hole diameter mm	Contents PU pcs	Weight kg/PU	Shipping box PU	Item No.
PG047 DM 6*25 mm	Light grey	5.50	25.00	6.00	100	0,12	40	905 20 2



Push-through dowel (PG048)

The proven method to easily mount a Snap-on pipe clip by hand or with the ease of use of a cable tie.

Polyamide

Type	Colour	Shank-Ø mm	Shank length mm	Bore hole diameter mm	Contents PU pcs	Weight kg/PU	Shipping box PU	Item No.
PG048 DM 6*50 mm	Light grey	5.50	50.00	6.00	100	0,12	12	905 20 3



Cable clip RKK

CHARACTERISTIC:

- With hardened high quality steel nail for secure cable-fixing in concrete or wood
- Colour: White or grey

TECHNICAL DATA:

Material:

- Clip: Polypropylen PP, silicon- and halogen free
- Nail: Hardened steel, galvanised
- Temperature: -20°C up to +90°C, short-term +130°C



RKK cable clip, white (CC012)

For simple cable routing.

Polypropylene

Type	Colour	For cable Ø mm	Nail diameter mm	Nail length mm	Contents PU pcs	Weight kg/PU	Shipping box PU	Item No.
CC012 6 2,0*25	Pure white	6.00	2.00	25.00	100	0,08	50	905 43 5
CC012 4 2,0*18	Pure white	4.00	2.00	18.00	100	0,06	50	905 43 6
CC012 5 2,0*18	Pure white	5.00	2.00	18.00	100	0,07	50	905 43 7
CC012 7 2,0*25	Pure white	7.00	2.00	25.00	100	0,10	50	905 43 8
CC012 8 2,0*25	Pure white	8.00	2.00	25.00	100	0,11	50	905 43 9
CC012 8 2,0*30	Pure white	8.00	2.00	30.00	100	0,12	50	905 44 0
CC012 9 2,0*30	Pure white	9.00	2.00	30.00	100	0,12	40	905 44 3
CC012 10 2,0*30	Pure white	10.00	2.00	30.00	100	0,14	40	905 44 4



RKK cable clip, grey (CC012)

For simple cable routing.

Polypropylene

Type	Colour	For cable Ø mm	Nail diameter mm	Nail length mm	Contents PU pcs	Weight kg/PU	Shipping box PU	Item No.
CC012 RKK 5 2*18	Light grey	5.00	2.00	18.00	100	0,07	50	905 43 0
CC012 7 2,0*25	Light grey	7.00	2.00	25.00	100	0,10	50	905 43 1
CC012 RKK 6 2*25	Light grey	6.00	2.00	25.00	100	0,08	50	905 43 4
CC012 RKK 4 2*18	Light grey	4.00	2.00	18.00	100	0,06	50	905 44 1
CC012 8 2,0*25	Light grey	8.00	2.00	25.00	100	0,11	50	905 43 2
CC012 8 2,0*30	Light grey	8.00	2.00	30.00	100	0,12	50	905 43 3
CC012 9 2,0*30	Light grey	9.00	2.00	30.00	100	0,12	40	905 44 2
CC012 10 2,0*30	Light grey	10.00	2.00	30.00	100	0,14	40	905 44 5
CC012 11 2,0*30	Light grey	11.00	2.00	30.00	100	0,19	30	905 44 6
CC012 12 2,0*30	Light grey	12.00	2.00	30.00	100	0,26	30	905 44 7
CC012 14 2,5*40	Light grey	14.00	2.50	40.00	100	0,47	27	905 44 8
CC012 16 2,5*40	Light grey	16.00	2.50	40.00	100	0,34	27	905 44 9
CC012 18 2,5*40	Light grey	18.00	2.50	40.00	100	0,55	18	905 45 0
CC012 20 2,5*40	Light grey	20.00	2.50	25.00	100	0,74	18	905 45 1

CHARACTERISTIC:

- With hardened steel nail for secure cable-fixing in concrete or wood
- One cable clip for multiple cable diameters
- perfect clamping characteristics
- Available with and without nail
- Colour: Grey (RAL7035)
- Material: Polypropylen PP

WKK cable clip without nail (CC005)

For simple cable routing.
Nail clamp can be used for multiple cable diameters.
Polypropylene

Type	Colour	For cable Ø mm	For nail Ø x l mm	Contents PU pcs	Weight kg/PU	Shipping box PU	Item No.
CC005 WKK 4-7	Light grey	4.00-7.00	2	100	0,04	50	995 21 4
CC005 WKK 7-12	Light grey	7.00-12.00	2	100	0,06	50	995 21 5
CC005 WKK 10-14	Light grey	10.00-14.00	2	100	0,13	30	995 21 6
CC005 WKK 14-17	Light grey	14.00-17.00	2	100	0,24	18	995 21 9
CC005 WKK 17-21	Light grey	17.00-21.00	2	100	0,34	12	995 22 0



WKK cable clip with nail (CC006)

For simple cable routing.
Nail clamp can be used for multiple cable diameters.
Polypropylene

Type	Colour	For cable Ø mm	Nail diameter mm	Nail length mm	Contents PU pcs	Weight kg/PU	Shipping box PU	Item No.
CC006 4-7	Light grey	4.00-7.00	2.00	18.00	100	0,07	50	991 40 3
CC006 4-7	Light grey	4.00-7.00	2.00	25.00	100	0,09	50	990 90 0
CC006 7-12	Light grey	7.00-12.00	2.00	18.00	100	0,07	50	990 91 0
CC006 7-12	Light grey	7.00-12.00	2.00	25.00	100	0,11	50	990 90 1
CC006 7-12	Light grey	7.00-12.00	2.00	35.00	100	0,16	40	990 90 3
CC006 7-12	Light grey	7.00-12.00	2.00	45.00	100	0,16	30	990 90 7
CC006 10-14	Light grey	10.00-14.00	2.00	25.00	100	0,17	27	990 90 8
CC006 10-14	Light grey	10.00-14.00	2.00	30.00	100	0,18	27	990 90 5
CC006 10-14	Light grey	10.00-14.00	2.00	40.00	100	0,24	27	990 90 6
CC006 14-17	Light grey	14.00-17.00	2.00	40.00	100	0,29	10	990 90 9



Cable clip WKK-PE

CHARACTERISTIC:

- With hardened steel nail for secure cable-fixing in concrete or wood
- One cable clip for multiple cable diameters
- The clamp fits through the use of softer material perfectly on the cable
- Available with and without nail
- Colour: Grey (RAL7038)
- Material: Polyethylene PE



WKK-PE cable clip without nail (CC014)

For simple cable routing.

Polyethylene

Type	Colour	For cable Ø mm	For nail Ø x l mm	Contents PU pcs	Weight kg/PU	Shipping box PU	Item No.
CC014 WKK PE 4-7	Telegrey 4	4.00-7.00	2	100	0,03	50	903 81 0
CC014 7-11	Telegrey 4	7.00-11.00	2	100	0,06	50	903 81 1
CC014 10-14	Telegrey 4	10.00-14.00	2	100	0,13	30	903 81 2
CC014 14-20	Telegrey 4	14.00-20.00	2	100	0,22	18	903 81 3
CC014 20-25	Telegrey 4	20.00-25.00	2	50	0,21	18	903 81 4



WKK-PE cable clip with nail (CC015)

For simple cable routing.

Polyethylene

Type	Colour	For cable Ø mm	Nail diameter mm	Nail length mm	Contents PU pcs	Weight kg/PU	Shipping box PU	Item No.
CC015 4-7	Telegrey 4	4.00-7.00	2.00	18.00	100	0,07	30	903 81 5
CC015 4-7	Telegrey 4	4.00-7.00	2.00	25.00	100	0,09	50	903 81 6
CC015 7-11	Telegrey 4	7.00-11.00	2.00	18.00	100	0,10	20	903 81 7
CC015 7-11	Telegrey 4	7.00-11.00	2.00	25.00	100	0,12	20	903 81 8
CC015 7-11	Telegrey 4	7.00-11.00	2.00	35.00	100	0,14	40	903 81 9
CC015 7-11	Telegrey 4	7.00-11.00	2.00	45.00	100	0,17	30	903 82 0
CC015 10-14	Telegrey 4	10.00-14.00	2.00	25.00	100	0,20	27	903 82 1
CC015 10-14	Telegrey 4	10.00-14.00	2.00	30.00	100	0,21	27	903 82 2
CC015 10-14	Telegrey 4	10.00-14.00	2.00	40.00	100	0,23	27	903 82 3
CC015 14-20	Telegrey 4	14.00-20.00	2.00	30.00	100	0,29	18	903 82 4
CC015 14-20	Telegrey 4	14.00-20.00	2.00	40.00	100	0,31	18	903 82 5



Double-WKK-PE cable clip without nail (CC016)

For simple cable routing.

Polyethylene

Type	Colour	For cable Ø mm	For nail Ø x l mm	Contents PU pcs	Weight kg/PU	Shipping box PU	Item No.
CC016 7-11	Light grey	7.00-11.00	2	100	0,12	30	903 82 6

CHARACTERISTIC:

- With hardened mechanical zinc plated steel nail for secure cable-fixing in concrete or wood
- Cable Clip made of PE-HD
- One cable clip for multiple cable diameters
 - 8–10 mm
 - 11–15 mm
 - 16–19 mm
- With KEMA-Keur approval

SKK cable clip (CC008)

For simple cable routing.

Polyethylene

Type	Colour	For cable Ø mm	Nail diameter mm	Nail length mm	Contents PU pcs	Weight kg/PU	Shipping box PU	Item No.
CC008 SKK 8-10 2,0*35	Grey	11.00-15.00	2.00	35.00	100	0,20	60	981 62 3
CC008 SKK 8-10 2,0*35	White	11.00-15.00	2.00	35.00	100	0,20	60	981 62 4
CC008 SKK 11-15 2,0*35	Grey	11.00-15.00	2.00	35.00	100	0,22	60	981 62 6
CC008 SKK 11-15 2,0*35	White	11.00-15.00	2.00	35.00	100	0,22	60	981 62 5
CC008 16-19	Grey	16.00-19.00	2.50	40.00	100	0,32	30	981 62 7
CC008 16-19	Natural	16.00-19.00	2.50	40.00	100	0,32	30	981 62 8



Clip disc RKS

CHARACTERISTIC:

- Quick fixing of cables in wall slots or on masonry before plastering
- With hardened, galvanised steel nail
- The cables remain tightly on the masonry
- Optimised shape for use in horizontal and vertical masonry slots or walls



RKS clip disc with nail (KG007)

Plastic disc with pre-mounted nail.
With the RKS clip disc, you can fix multiple cables in a single step.
Can be used in masonry slots and under insulation material.

Polyethylene

Type	Colour	External dimensions mm	Nail diameter mm	Nail length mm	Contents PU pcs	Weight kg/PU	Shipping box PU	Item No.
KG007 27-34	Natural	27x34	2.00	40.00	200	0,43	12	995 22 8
KG007 27-34	Natural	27x34	2.00	50.00	150	0,38	12	995 22 9
KG007 27-34	Natural	27x34	2.00	60.00	150	0,41	12	995 23 0
KG007 27-34	Natural	27x34	2.50	70.00	100	0,43	12	995 23 1
KG007 27-34	Natural	27x34	3.30	40.00	100	0,43	12	995 23 2
KG007 27-34	Natural	27x34	3.30	50.00	100	0,52	12	995 23 3
KG007 27-34	Natural	27x34	3.30	60.00	100	0,59	12	995 23 4

CHARACTERISTIC:

- Quick fixing of cables in wall slots or on masonry before plastering
- With hardened, galvanised steel nail
- The cables remain well fixed in the slot
- Round disc
- No alignment required
- Suitable for all slots

KLS clip disc with nail (KG006)

Plastic disc with pre-mounted nail.
With the KLS clip disc you can fix multiple cables in a single step.
Can be used in wall slots and under insulation material.

Polypropylene



Type	Colour	Nail diameter mm	Nail length mm	Contents	Weight	Shipping	Item No.
				PU pcs	kg/PU	box PU	
KG006 27 2,0*40	Natural	2.00	40.00	300	0,54	12	954 90 2
KG006 27 2,0*50	Natural	2.00	50.00	250	0,42	12	954 90 4
KG006 34 2,0*50	Natural	2.00	50.00	150	0,48	12	954 90 8
KG006 34 2,0*60	Natural	2.00	60.00	150	0,50	12	954 91 0
KG006 34 3,3*40	Natural	3.30	40.00	150	0,70	12	954 91 2
KG006 34 3,3*50	Natural	3.30	50.00	150	0,72	12	954 91 4
KG006 34 3,3*60	Natural	3.30	60.00	100	0,68	12	954 91 6

Clip disc OKS

CHARACTERISTIC:

- Quick fixing of cables in wall slots or on masonry before plastering
- With hardened, galvanised steel nail
- The cables remain tightly on the masonry
- The oval shape is perfect for flexible cable routing, depending on the width of the sleeve.



OKS clip disc with nail (KG008)

Plastic disc with pre-mounted nail.
With the OKS clip disc, you can fix multiple cables in a single step.
Can be used in wall slots and under insulation material.

Polyethylene

Type	Colour	External dimensions mm	Nail diameter mm	Nail length mm	Contents PU pcs	Weight kg/PU	Shipping box PU	Item No.
KG008 25-40	Natural	25x40	3.00	40.00	150	0,45	16	954 93 4
KG008 25-40	Natural	25x40	3.00	50.00	150	0,57	16	954 93 8
KG008 25-40	Natural	25x40	3.00	60.00	150	0,64	16	954 94 2
KG008 25-40	Natural	25x40	3.00	70.00	150	0,73	16	954 94 6

CHARACTERISTIC:

- Quick fixing of cables in wall slots or on masonry before plastering
- With hardened, galvanised steel nail
- The cables remain tightly on the masonry
- Optimised for use in wall slots
- Flexible disc allows perfect cable mounting

DKS clip disc with nail (KG014)

Plastic disc with pre-mounted nail.

With the DKS clip disc, you can fix multiple cables in a single step.
Can be used in wall slots and under insulation material.

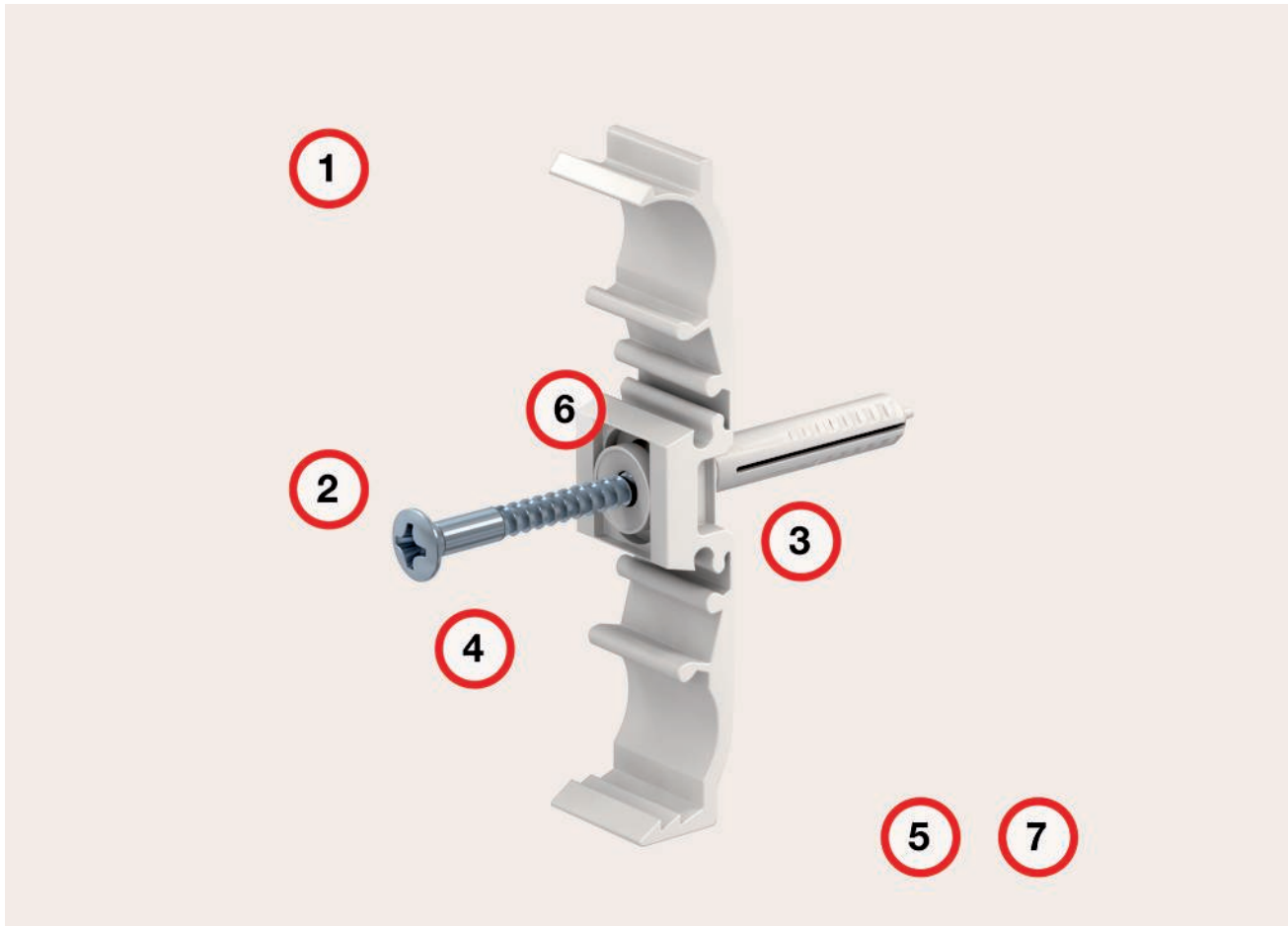
Polypropylene

Type	Colour	External dimensions mm	Nail diameter mm	Nail length mm	Contents PU pcs	Weight kg/PU	Shipping box PU	Item No.
KG014 3x40	Natural	25x34	3.00	40.00	100	0,27	12	954 92 6
KG014 3,5x50	Natural	25x34	3.50	50.00	100	0,45	12	954 92 7
KG014 3,5x60	Natural	25x34	3.50	60.00	100	0,55	12	954 92 8
KG014 3,5x70	Natural	25x34	3.50	70.00	100	0,55	12	954 92 9



Speedclip SCP

Save time and money with high speed



Seven good reasons for using the speedclip SCP:

1. Up to 50% time savings

- By quick and easy fixing

2. Available with and without pre-assembled nail anchor

- Also available with 5 mm Speedplug nail anchor

3. Nylon clip and plug

- Crack-resistant, heat and cold-resistant
- Resistant to aging

4. Galvanised nail with pozidrive head

- For a high level of rust resistance and easy dismantling

5. Also available with "DUO-block"

- Fasten two pipes with a single block – could it be more effective?

6. Simple fixing by knocking-in

- No extra tools required

7. KIWA approved

- SCP with pipe diameter from 10 to max. 25mm

CHARACTERISTIC:

- Up to 50% time savings
- Easy, quick fixing
- 3:1 combination (3 applications unified in one product)
- Removable and adjustable
- Also available with "DUO-Block"
- Some products KIWA-approved
- Also available with 5 mm nail anchor (ESCP)
- Multiple pipe dimensions combined for each clip

TECHNICAL DATA:

- **Polyamide:**
 - Nylon part: Halogen and silicone-free
 - Colour: Grey (RAL7035)
 - Temperature resistance:
 - 80 °C, long term
 - 130 °C, short term
 - - 10 °C fixing
 - - 40 °C use
 - Flame-resistance: UL 94 HB
 - UV-resistant: The product can be used under UV-radiation (weathering) in both dry and warm climates and also in humid, warm climates for at least 5 to 6 years, without any change in the use properties
- **Nail part:**
 - Steel, galvanised

Pipe clip, nylon without dowel SCP-M6 (CP000)

Clip for simple, quick and easy fixing of copper steel and PVC pipes by using M6-dowel or Speedplug SPM-M6.

Polyamide

Type	Colour	For pipe Ø mm	Contents PU pcs	Weight kg/PU	Shipping box PU	Item No.
CP000 15-16 M6	Light grey	15.00-16.00	100	1,25	12	963 41 5
CP000 20-22 M6	Light grey	20.00-22.00	100	1,32	10	963 43 1

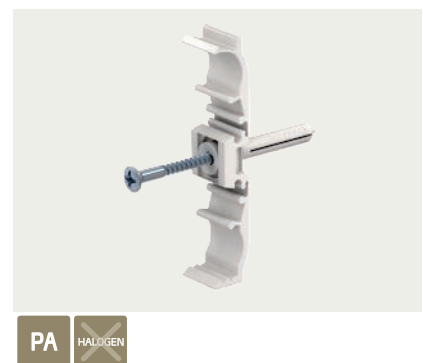


Pipe clip, nylon with dowel Ø 6 mm SCP (CP000)

Clip for simple, quick and easy fixing of copper steel and PVC pipes by using M6-dowel or Speedplug SPM-M6.

Polyamide

Type	Colour	Plug Ø mm	Plug length mm	For pipe Ø mm	Contents PU pcs	Weight kg/PU	Shipping box PU	Item No.
CP000 10-12 6*40	Light grey	6.00	40.00	10.00-12.00	100	1,05	5	963 05 2
CP000 15-16 6*40	Light grey	6.00	40.00	15.00-16.00	100	0,95	5	963 06 0
CP000 18-19 6*40	Light grey	6.00	40.00	18.00-19.00	100	1,23	5	963 07 9
CP000 20-22 6*40	Light grey	6.00	40.00	20.00-22.00	100	1,31	5	963 08 7
CP000 25-28 6*40	Light grey	6.00	40.00	25.00-28.00	100	1,31	5	963 16 7



Pipe clip, nylon, SCP



Pipe clip, nylon with dowel Ø 6 mm SCP (CP000)

Clip for simple, quick and easy fixing of copper steel and PVC pipes by using M6-dowel or Speedplug SPM-M6.

Polyamide

Type	Colour	Plug Ø mm	Plug length mm	For pipe Ø mm	Contents PU pcs	Weight kg/PU	Shipping box PU	Item No.
CP000 32-38 6*50	Light grey	6.00	50.00	32.00-38.00	50	1,03	5	966 16 5
CP000 40-47 6*50	Light grey	6.00	50.00	40.00-47.00	50	1,20	5	966 17 2
CP000 48-54 6*50	Light grey	6.00	50.00	48.00-54.00	25	0,69	5	966 18 4

Pipe clip, nylon without dowel SCP-M6 DUO (CP000)

Clip for quick and easy fixing of copper steel and PVC pipes by using M6-dowel or Speedplug 6 mm SCP.

Polyamide

Type	Colour	For pipe Ø mm	Contents PU pcs	Weight kg/PU	Shipping box PU	Item No.
CP000 15-16 M6	Light grey	15.00-16.00	25	0,52	10	963 51 1
CP000 SCP DUO 20-22 M6	Light grey	20.00-22.00	25	0,62	10	963 54 6

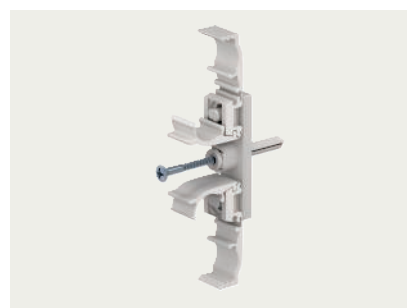


Pipe clip, nylon with dowel SCP DUO (CP000)

Clip for quick and easy fixing of copper steel and PVC pipes by using M6-dowel or Speedplug 6 mm SCP.

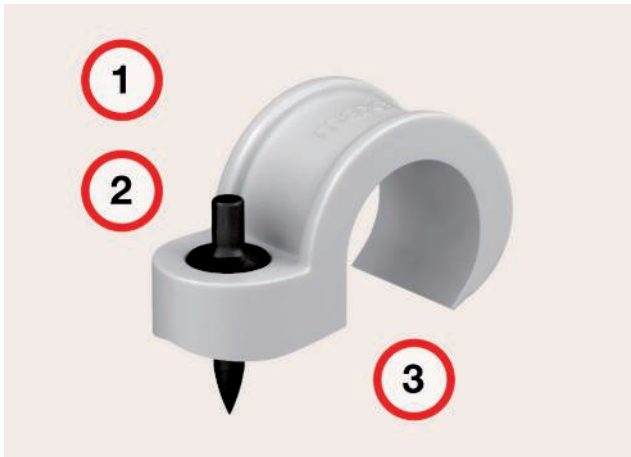
Polyamide

Type	Colour	Plug Ø mm	Plug length mm	For pipe Ø mm	Contents PU pcs	Weight kg/PU	Shipping box PU	Item No.
CP000 10-12 6*55	Light grey	6.00	55.00	10.00-12.00	50	1,14	5	963 30 0
CP000 15-16 6*55	Light grey	6.00	55.00	15.00-16.00	50	1,21	5	963 31 9
CP000 18-19 6*55	Light grey	6.00	55.00	18.00-19.00	50	1,43	5	963 32 7
CP000 20-22 6*55	Light grey	6.00	55.00	20.00-22.00	50	1,48	5	963 33 5



Pipe clip, nylon, Clip-Fixx

The quickest way to fix pipes



Simple three-times good

1. Polypropylene clip
2. Fixpin made of hardened steel Ø 4mm, length 27mm
3. For fixing pipediameters 12 up to 25 mm

Application / assembly



Install the Clip-Fixx



Hammer-in by using setting tool



fixed within seconds

Characteristic:

- Clip pre-assembled with Fixpin o 4 mm, 27 mm length
- Clip polypropylene
- Colour grey RAL 7035
- Halogen and silicone-free

Pipe clip Clip-Fixx (CC019)

The Clip-Fixx with pre-assembled Fixpin is a fast alternative for fixing pipes on fresh concrete
Polypropylene

Type	Colour	Dimension	Nail diameter mm	Nail length mm	Contents PU pcs	Weight	Shipping box PU	Item No.
CC019 12-25 27	Light grey	12-25 27	4.00	27.00	100	1,23	1	903 91 0



Pipe clip, Nylon KPA

CHARACTERISTIC:

- Time and cost savings during fixing
- 3:1 combination (3 applications unified in a product)
- Corrosion-resistant
- No screwdriver required for fixing, simply knock-in
- Simple dismantling using screwdriver for renovation and maintenance work
- Available in grey (RAL 7037) and white (RAL 9010)

TECHNICAL DATA:

- *Plastic part:*
 - Clip: PVC
 - Block: Polypropylene
- *Nail part:*
 - Steel, mechanical plated
 - Anchor: Polyamide PA-6



Pipe clip KPA white (OZ006)

For fixing PVC rain water pipes.
Polyvinylchloride

Type	Colour	For pipe Ø mm	Contents PU pcs	Weight kg/PU	Shipping box PU	Item No.
OZ006 80 8*70	Pure white	80	25	1,18	4	932 00 7
OZ006 100 8*70	Pure white	100	25	1,29	4	932 00 8



Pipe clip KPA grey (OZ006)

For fixing PVC rain water pipes.
Polyvinylchloride

Type	Colour	For pipe Ø mm	Contents PU pcs	Weight kg/PU	Shipping box PU	Item No.
OZ006 70 8*70	Dusty grey	70	25	1,13	4	932 00 0
OZ006 80 8*70	Dusty grey	80	25	1,18	4	932 00 1
OZ006 100 8*70	Dusty grey	100	25	1,29	4	932 00 2



Nail anchor SPS 8*100 (OZ011)

For fixing the KPA pipe clip onto the support.
Steel Mechanical zinc plated

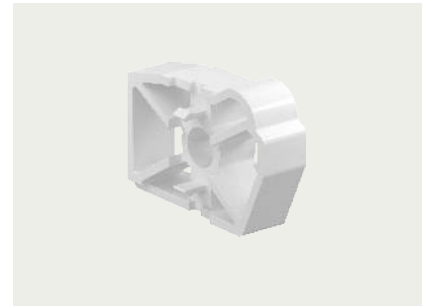
Type	Colour	Plug Ø mm	Plug length mm	Contents PU pcs	Weight kg/PU	Shipping box PU	Item No.
PL051 KPA 8*100	Grey	8.00	100.00	50	0,58	12	932 02 8

Spacer for pipe clip KPA white (OZ011)

Spacer for additional space between the wall and pipe.

Polypropylene

Type	Colour	Dimension	Contents PU pcs	Weight kg/PU	Shipping box PU	Item No.
OZ011 KPA B w	Pure white	—	50	0,35	12	932 02 6

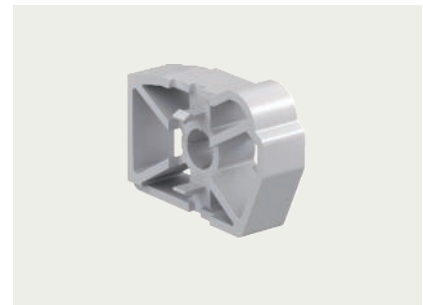


Spacer for pipe clip KPA grey (OZ011)

Spacer for additional space between the wall and pipe.

Polypropylene

Type	Colour	Dimension	Contents PU pcs	Weight kg/PU	Shipping box PU	Item No.
OZ011 KPA B g	Dusty grey	—	50	0,35	12	932 02 4



Expansion joint set for pipe clip KPA (M005)

Contents:

Plate 30 x 102 stainless steel A2 (AISI304)

Bolt stainless steel A2 (AISI304)

M8 thread 8 x 20 mm

Speedplug nail anchor SPTB 6x50, mechanical plated

Stainless steel, grade 304

Type	Colour	Dimension	Contents PU pcs	Weight kg/PU	Shipping box PU	Item No.
M005 KPA Dil.set	Light grey	102*30	25	1,35	12	932 03 0



Pipe clip, Nylon, UNO

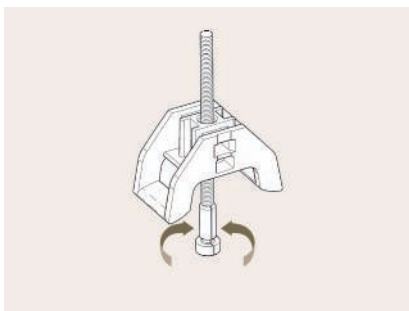
CHARACTERISTIC:

- Considerable time savings during fixing
- Can be fixed quickly and easily with the tensioner supplied
- Can be fixed straight, without prior deburring, on a damaged thread rod (M6 and M8)
- One clip for multiple pipe dimensions
- Pre-assembled stainless steel M8 glide nut , flexible location of the lock
- Also available separate M6 sleeve (PA6)

TECHNICAL DATA:

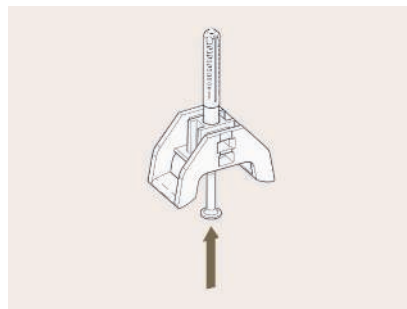
- Nylon part:
 - Polyamide PA-6
- Halogen and silicone-free
- Colour: Grey (RAL7037)
- Temperature resistance:
 - 80 °C, long term
 - 130 °C, short term
 - -10 °C mounting
 - -40 °C use
- Flame-resistance: UL 94 V2 - 1.6 mm
- UV-resistant: The product can be used under UV-radiation (weathering) in both dry and warm climates and also in humid, warm climates for at least 5 to 6 years, without any change in the use properties

INSTRUCTIONS FOR USE ON M6 ROD: M6 sleeve



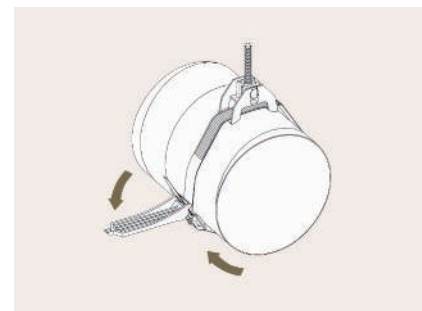
Fix the M6 sleeve onto M6 rod, secure the strip and tighten by tensioner

INSTRUCTIONS FOR USE IN CONCRETE: Nail anchor SP 8x70



Knock the nail anchor SP 8x70 into the drill hole

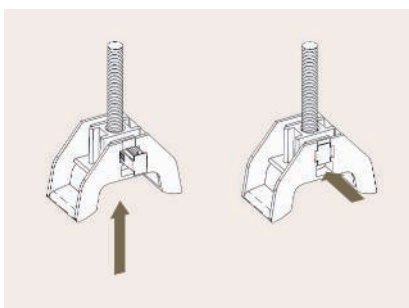
INSTRUCTIONS FOR USE: Tensioner



UNO tensioner for secure tensioning of the strip

INSTRUCTIONS FOR USE:

M8 thread end with stainless steel slide nut.



Insert the M8 thread and fix it with a slide nut

Pipe clamp UNO-LB (OZ035)

Fixing system consisting of a block and a strip for fixing PVC pipes of Ø 40 mm to Ø 125 mm and pipe types of up to Ø 350 mm (with extension strip), only for suspended mounting. Available with and without soundproof rubber layer. Maximum load 30 kg.

Polyamide

Type	Colour	Dimension	Contents PU pcs	Weight kg/PU	Shipping box PU	Item No.
OZ035 M8 40-125	Dusty grey	M8 40-125	25	1,30	1	963 26 2



Pipe clip UNO-LBD with rubber layer (OZ034)

Fixing system consisting of a block and a strip for fixing PVC pipes of Ø 40 mm to Ø 125 mm and pipe types of up to Ø 350 mm (with extension strip), only for suspended mounting. Available with and without soundproof rubber layer. Maximum load 30 kg.

Polyamide

Type	Colour	Dimension	Contents PU pcs	Weight kg/PU	Shipping box PU	Item No.
OZ034 M8 40-125	Dusty grey	M8 40-125	25	1,65	1	963 26 4



Strip for pipe clip UNO-LB/-LBD (OZ023)

Extension strip for ventilation pipe types up to Ø 350 mm for suspended mounting.

Polyamide

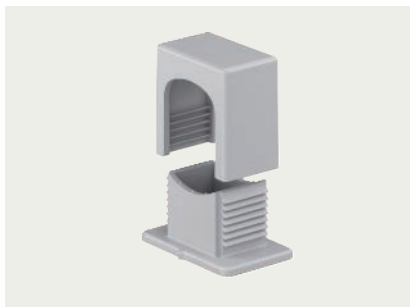
Type	Colour	Dimension	Contents PU pcs	Weight kg/PU	Shipping box PU	Item No.
OZ023 UNO B 350	Dusty grey	350	50	1,30	1	963 25 5



ISO pressure clip

CHARACTERISTIC:

- Clip made of impact-resistant polystyrene
- With adhesive base, slot or for screwing to M6 thread
- Clamping range 6–16 mm
- Colour: Light grey RAL7035

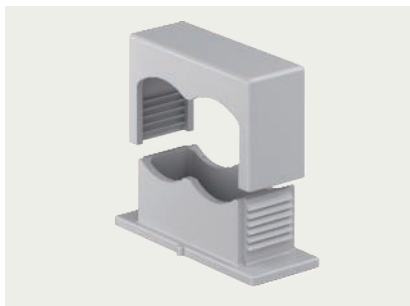


ISO pressure clip for 1 cable (OZ060)

To fix cables and pipes.

Polystyrene

Type	Colour	For cable Ø mm	Contents PU pcs	Weight kg/PU	Shipping box PU	Item No.
OZ060 1*6-16	Light grey	6.00-16.00	100	0,46	12	904 45 5



ISO pressure clip for 2 cables (OZ061)

To fix cables and pipes.

Polystyrene

Type	Colour	For cable Ø mm	Contents PU pcs	Weight kg/PU	Shipping box PU	Item No.
OZ061 2*6-16	Light grey	6.00-16.00	25	0,26	10	904 45 6



Nail anchor SPM M6 (PL029)

Nail anchor for electrical engineers or sanitary installation engineers for fixing clips with an M6 thread.

Steel Galvanised

Type	Colour	Plug Ø mm	Plug length mm	Thread size M	Thread increase mm	Contents PU pcs	Weight kg/PU	Shipping box PU	Item No.
SP007 SPM6 6*40	Natural	6.00	40.00	6.00	1.00	200	1,24	10	960 00 3
PL072 SPM6 6*80	Natural	6.00	80.00	6.00	1.00	100	0,96	10	943 11 5

CHARACTERISTIC:

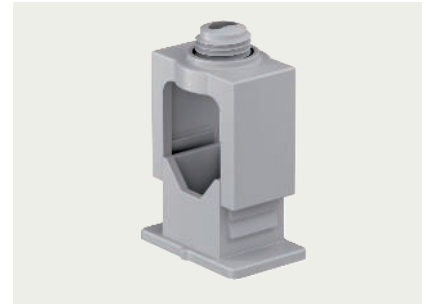
- Clip made of impact-resistant polystyrene
- With adhesive base, slot or for screwing to M6 thread
- Clamping range 6–16 mm
- The cable is fixed using the clamping screw
- Colour: Light grey RAL7035

ISO grip clip for 1 cable (OZ062)

To fix cables and pipes.

Polystyrene

Type	Colour	For cable Ø mm	Contents PU pcs	Weight kg/PU	Shipping box PU	Item No.
OZ062 1*6-16	Light grey	6.00-16.00	100	0,58	12	904 45 7



ISO grip clip for 2 cables (OZ063)

To fix cables and pipes.

Polystyrene

Type	Colour	For cable Ø mm	Contents PU pcs	Weight kg/PU	Shipping box PU	Item No.
OZ063 2*6-16	Light grey	6.00-16.00	25	0,30	10	904 45 8



Nail anchor SPM M6 (PL029)

Nail anchor for electrical engineers or sanitary installation engineers for fixing clips with an M6 thread.

Steel Galvanised

Type	Colour	Plug Ø mm	Plug length mm	Thread size M	Thread increase mm	Contents PU pcs	Weight kg/PU	Shipping box PU	Item No.
SP007 SPM6 6*40	Natural	6.00	40.00	6.00	1.00	200	1,24	10	960 00 3
PL072 SPM6 6*80	Natural	6.00	80.00	6.00	1.00	100	0,96	10	943 11 5



Snap-On pipe clip, OPDZ

CHARACTERISTIC:

- Universal fastening options
- Adjustable
- Can be slotted into C profile rails with slot width 11 mm
- Connectable with various Snap-on pipe clips
- 5/8" (16 mm) and 3/4" (19 mm) KEMA-approved

INSTRUCTIONS FOR USE:

Drill 6 mm hole: use 6 mm nail anchor or screw + plug (head o 8 mm)

Drill 5 mm hole: use 5 mm nail anchor or screw + plug or nail anchor SPM-M6

COMPARE DIMENSIONS IN METRIC-PG-INCHES-IRO

Pipe diameter [mm]	Metric	PG	Inch	IRO
12-13	12	7		11
15-16	16	9	5/8	13.5
18-19		11	3/4	16
20-21	20	13.5		19
22-23		16		
25-26	25		1	23
28-29		21		23
31-32	32		1 1/4	29
37-38		29	1 1/2	
38-40	40			36
47-48		36		
50	50		2	
53-54		42		
59-60		48		
63	63			



Snap-On pipe clip, OPDZ 6 mm grey (OZ048)

For fixing conduit pipes.

Polypropylene

Type	Colour	For pipe Ø mm	For pipe Ø M	For pipe Ø PG	For pipe Ø inch	Contents PU pcs	Weight kg/PU	Shipping box PU	Item No.
OZ048 OPDZ	Light grey	15-16	16.00	9.00	5/8	100	0,33	12	981 90 2
OZ048 OPDZ	Light grey	18-19	—	11.00	3/4	100	0,40	12	981 91 0
OZ048 OPDZ	Light grey	20-21	20.00	13.50	—	100	0,37	12	981 92 4
OZ048 OPDZ	Light grey	22-23	—	16.00	—	100	0,50	12	981 93 7
OZ048 OPDZ	Light grey	25-26	25.00	—	1	50	0,32	12	981 95 0
OZ048 OPDZ 28-29	Light grey	28-29	—	21.00	—	50	0,49	10	981 94 4
OZ048 OPDZ	Light grey	31-32	32.00	—	1 1/4	50	0,40	12	981 95 8
OZ048 OPDZ	Light grey	37-38	—	29.00	1 1/2	50	0,73	12	981 95 5
OZ048 OPDZ	Light grey	38-40	40.00	—	—	30	0,35	12	981 96 0
OZ048 OPDZ 47-48	Light grey	47-48	—	36.00	—	30	0,71	12	994 61 1
OZ048 OPDZ	Light grey	50	50.00	—	—	30	0,58	10	994 62 8
OZ048 OPDZ 53-54	Light grey	53-54	—	42.00	—	25	0,64	12	994 60 0
OZ048 OPDZ	Light grey	59-60	—	48.00	—	20	0,64	12	994 60 2
OZ048 OPDZ	Light grey	63	63.00	—	—	20	0,40	10	994 62 9

Snap-On pipe clip, OPDZ 6 mm grey KEMA-KEUR (OZ043)

For fixing conduit pipes.

Polyamide

Type	Colour	For pipe Ø mm	For pipe Ø M	For pipe Ø PG	For pipe Ø inch	Contents PU pcs	Weight kg/PU	Shipping box PU	Item No.
OZ043 OPDZ	Grey	15-16	16.00	9.00	5/8	100	0,40	12	982 00 5
OZ043 OPDZ	Grey	18-19	—	11.00	3/4	100	0,45	12	982 00 7

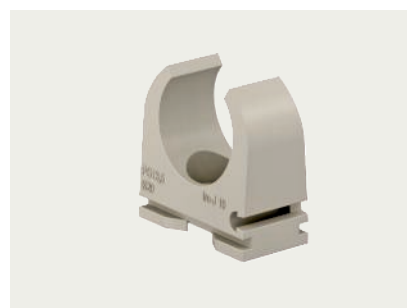


Snap-On pipe clip, OPDZ 6 mm cream KEMA-KEUR (OZ043)

For fixing conduit pipes.

Polyamide

Type	Colour	For pipe Ø mm	For pipe Ø M	For pipe Ø PG	For pipe Ø inch	Contents PU pcs	Weight kg/PU	Shipping box PU	Item No.
OZ043 OPDZ	Cream	15-16	16.00	9.00	5/8	100	0,47	12	981 91 7
OZ043 OPDZ	Cream	18-19	—	11.00	3/4	100	0,56	12	981 91 8



Snap-On pipe clip, OPDZ 6 mm dark grey KEMA-KEUR (OZ043)

For fixing conduit pipes.

Polyamide

Type	Colour	For pipe Ø mm	For pipe Ø M	For pipe Ø PG	For pipe Ø inch	Contents PU pcs	Weight kg/PU	Shipping box PU	Item No.
OZ043 15-16 5/8"	Dusty grey	15-16	16.00	9.00	5/8	100	0,40	12	981 88 6
OZ043 18-19 3/4"	Dusty grey	18-19	—	11.00	3/4	100	0,56	12	981 91 4



Snap-On pipe clip, OPDZ 5 mm grey (OZ052)

For fixing conduit pipes.

Polypropylene

Type	Colour	For pipe Ø mm	For pipe Ø M	For pipe Ø PG	For pipe Ø inch	Contents PU pcs	Weight kg/PU	Shipping box PU	Item No.
OZ052 OPDZ	Light grey	12-13	12.00	7.00	—	100	0,36	12	981 90 0
OZ052 OPDZ	Light grey	15-16	16.00	9.00	5/8	100	0,47	12	981 86 0
OZ052 OPDZ	Light grey	18-19	—	11.00	3/4	100	0,56	12	981 86 1
OZ052 OPDZ	Light grey	20-21	20.00	13.50	—	100	0,47	12	981 86 2
OZ052 OPDZ	Light grey	22-23	—	16.00	—	100	0,70	10	981 86 3
OZ052 OPDZ	Light grey	25-26	25.00	—	1	50	0,30	12	981 86 6
OZ052 OPDZ	Light grey	28-29	—	21.00	—	50	0,49	12	981 86 4



Laying and routing

Snap-On pipe clip, OPDZ



100
St./Pcs.



M6 dowel (KS324)

To fix clips into wood or concrete without a plug.

Steel, Hardened Electrogalvanised

Type	Nail length mm	Head Ø mm	collar Ø mm	Contents PU pcs	Weight kg/PU	Shipping box PU	Item No.
KS324 M6 4,0*15	15.00	5.20	8.80	100	0,32	50	957 10 6
KS324 M6 4,0*18	18.00	5.20	8.80	100	0,38	50	957 09 4
KS324 M6 4,0*25	25.00	5.20	8.80	100	0,43	50	957 11 0
KS324 M6 4,0*30	30.00	5.20	8.80	100	0,50	50	957 11 2
KS324 M6 4,0*40	40.00	5.20	8.80	100	0,59	50	957 11 6
KS324 M6 4,0*55	55.00	5.20	8.80	100	0,69	50	957 11 8
KS324 M6 4,0*70	70.00	5.20	8.80	100	0,84	25	957 12 0



Nail anchor SPM M6 (PL029)

Nail anchor for electrical engineers or sanitary installation engineers for fixing clips with an M6 thread.

Steel Galvanised

Type	Colour	Plug Ø mm	Plug length mm	Thread size M	Thread increase mm	Contents PU pcs	Weight kg/PU	Shipping box PU	Item No.
SP007 SPM6 6*40	Natural	6.00	40.00	6.00	1.00	200	1,24	10	960 00 3
PL072 SPM6 6*80	Natural	6.00	80.00	6.00	1.00	100	0,96	10	943 11 5

CHARACTERISTIC:

- Steel, galvanised
- Suitable for fixing with Fixpin

Clip, single, 1-hole, 4.5*6 mm (MZ083)

To fix pipes and cables on concrete.

Steel Electrogalvanised

Type	Dimension	For pipe Ø M	Contents PU pcs	Weight	Shipping box PU	Item No.
MZ083 Ø16mm	M16	16.00	100	0,35	42	904 62 3
MZ083 Ø20mm	M20	20.00	100	0,43	18	904 62 4
MZ083 Ø25mm	M25	25.00	100	0,50	10	904 62 5



Clip, single, 1-hole, 5.5*7 mm (MZ083)

To fix pipes and cables on concrete.

Steel Electrogalvanised

Type	Dimension	For pipe Ø M	Contents PU pcs	Weight	Shipping box PU	Item No.
MZ083 Ø32mm	M32	32.00	100	1,30	8	904 62 6



Clip, single, 1-hole, Ø 5.5 mm, width 15 mm (MZ020)

To fix pipes and cables on concrete.

Steel Galvanised

Type	For pipe Ø M	For pipe Ø PG	For pipe Ø inch	For pipe Ø mm	Contents PU pcs	Weight kg/PU	Shipping box PU	Item No.
MZ020 MA 16	16.00	9.00	5/8	15-16	250	2,15	4	900 90 0
MZ020 MA 18	—	11.00	3/4	17-18	200	1,90	4	900 90 1
MZ020 MA 20	20.00	13.50	—	19-20	200	2,00	4	900 90 2
MZ020 MA 22	—	—	—	21-22	175	1,88	4	900 90 3
MZ020 MA 24	—	16.00	—	23-24	150	1,75	4	900 91 8
MZ020 MA 25	25.00	—	1	24-25	150	1,68	4	900 90 9



Clip, single, metal



Clip, single, 1-hole, \varnothing 5.5 mm, width 20 mm (MZ020)

To fix pipes and cables on concrete.

Steel Galvanised

Type	For pipe \varnothing M	For pipe \varnothing PG	For pipe \varnothing inch	For pipe \varnothing mm	Contents PU pcs	Weight kg/PU	Shipping box PU	Item No.
MZ020 MA 28	—	21.00	—	27-28	125	2,23	4	900 90 4
MZ020 MA 32	32.00	—	1 1/4	31-32	100	2,20	4	900 89 9
MZ020 MA 35	—	—	—	34-35	100	2,20	4	900 91 9
MZ020 MA 40	40.00	—	—	39-40	100	2,30	2	900 92 0



Clip, single, 2-hole, \varnothing 6.5 mm (MZ032)

To fix pipes and cables on concrete.

Steel Electrogalvanised

Type	For pipe \varnothing mm	Contents PU pcs	Weight kg/PU	Shipping box PU	Item No.
MZ032 M12	12	100	0,49	12	901 04 0
MZ032 M16	16	100	0,59	12	901 04 1
MZ032 M20	20	100	0,66	10	901 04 2
MZ032 M25	25	100	0,96	12	901 04 3
MZ032 M32	32	100	1,26	12	901 04 4
MZ032 M40	40	50	0,95	12	901 04 5
MZ032 M50	50	25	0,69	12	901 04 6
MZ032 M63	63	25	0,92	12	901 04 7

Clip, double, 1-hole, ø 5.5 mm, (MZ019)

To fix pipes and cables on concrete.

Steel Galvanised



Type	For pipe Ø mm	For pipe Ø M	For pipe Ø PG	For pipe Ø inch	Contents PU pcs	Weight kg/PU	Shipping box PU	Item No.
MZ019 D 15-16 mm	15-16	16.00	9.00	5/8	150	2,77	4	900 90 5
MZ019 D 17-18 mm	17-18	–	11.00	3/4	100	2,67	2	900 92 1
MZ019 D 19-20 mm	19-20	20.00	13.50	–	100	2,25	2	900 91 0
MZ019 D 21-22 mm	21-22	–	–	–	100	2,41	2	900 90 7
MZ019 D 23-24 mm	23-24	–	16.00	–	100	2,50	1	900 92 2
MZ019 D 24-25 mm	24-25	25.00	–	1	100	2,80	1	900 91 3
MZ019 D 27-28 mm	27-28	–	21.00	–	50	3,30	2	900 91 1
MZ019 D 34-35 mm	34-35	–	–	–	25	1,00	4	900 92 3
MZ019 D 39-40 mm	39-40	40.00	–	–	25	1,05	4	900 92 4

Spacer clip

CHARACTERISTIC:

- Easy and quick fixing without disassembling complete spacer clip through swivellable arm



Spacer clip metal (MZ033)

To fix cables, flexible or rigid tubes at distance to the underground.

Steel Electrogalvanised

Type	For pipe Ø mm	For pipe Ø M	Contents PU pcs	Weight kg/PU	Shipping box PU	Item No.
MZ033 / 11-13mm	11.00-13.00	12.00	50	1,16	12	904 30 0
MZ033 / 14-16mm	14.00-16.00	16.00	50	1,22	10	904 30 1
MZ033 / 19-21mm	19.00-21.00	20.00	50	1,37	10	904 30 2
MZ033 / 24-29mm	24.00-29.00	25.00	50	1,74	9	904 30 3
MZ033 / 30-38mm	30.00-38.00	32.00	25	1,01	10	904 30 4
MZ033 / 39-48mm	39.00-48.00	40.00	25	1,20	12	904 30 5
MZ033 / 48-54mm	48.00-54.00	50.00	25	1,45	12	904 30 6
MZ033 / 54-63mm	54.00-63.00	63.00	20	1,39	8	904 30 7



Spacer clip aluminium (MZ076)

To fix cables, flexible or rigid tubes at distance to the underground.

Aluminium

Type	For pipe Ø mm	For pipe Ø M	Contents PU pcs	Weight kg/PU	Shipping box PU	Item No.
MZ076 / 14-16mm	14.00-16.00	16.00	50	0,49	10	917 97 7
MZ076 / 19-21mm	19.00-21.00	20.00	50	0,55	10	917 97 8
MZ076 / 24-29mm	24.00-29.00	25.00	50	0,70	9	917 97 9
MZ076 / 30-38mm	30.00-38.00	32.00	25	0,41	10	917 98 0
MZ076 / 39-48mm	39.00-48.00	40.00	25	0,49	12	917 98 1
MZ076 / 48-54mm	48.00-54.00	50.00	25	0,58	12	917 98 2
MZ076 / 54-63mm	54.00-63.00	63.00	20	0,58	8	917 98 3



Spacer clip stainless steel (MZ089)

Easy and quick fixing without disassembling complete spacer clip through swivellable arm

Stainless steel, A2

Type	For pipe Ø mm	For pipe Ø M	Contents PU pcs	Weight kg/PU	Shipping box PU	Item No.
MZ089 M16	14.00-16.00	16.00	50	1,20	10	904 53 0
MZ089 M20	19.00-21.00	20.00	50	1,35	10	904 53 1
MZ089 M25	24.00-29.00	25.00	50	1,70	9	904 53 2
MZ089 M32	30.00-38.00	32.00	25	1,13	10	904 53 3
MZ089 M40	39.00-48.00	40.00	25	1,30	12	904 53 4
MZ089 M50	48.00-54.00	50.00	25	1,45	12	904 53 5
MZ089 M63	54.00-63.00	63.00	20	1,38	8	904 53 6

CHARACTERISTIC:

- Material clip: Polystyrene PS
- Material screw: Electrogalvanized steel
- Screw; Cross recess PH
- Operating temperature: -25°C up to +60°C
- Colour: RAL 7035, light grey

The cable fastening clip can be used for accurate mounting of flexible or rigid tubes as well as cables. Simply mount the base part on a wall or ceiling and fixate the tube or cable by screwing on the top part. Small mounting correction through slot possible

Cable fastening clip (CC017)

To fasten cables, empty pipes and pipes at a distance to the substrate.

Polystyrene

Type	Colour	For pipe Ø mm	Contents PU pcs	Weight kg/PU	Shipping box PU	Item No.
CC017 5-13	Light grey	5.00-13.00	50	0,38	12	903 82 7
CC017 10-17	Light grey	10.00-17.00	50	0,43	18	903 82 8
CC017 18-28	Light grey	18.00-28.00	25	0,40	12	903 82 9
CC017 28-41	Light grey	28.00-41.00	25	0,56	12	903 83 0





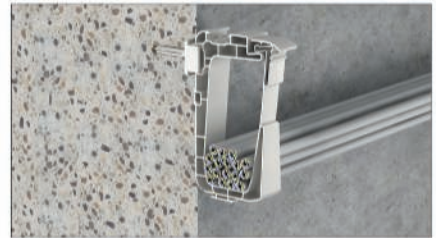
KKS CABLE CLAMP
SINGLE HANDED MOUNTING
20 OR 40 CABLES NYM 3-1,5MM²



Easy fixing of dowel and satellite.



Simply click the cable clamp on to the satellite, either on the wall or ceiling.



Easy opening and closing and repeated opening to insert or refill cables.



Cable holders can be connected to each other, all sizes can be used, such as KKS 20 or KKS 40.



To be connected with each other on the wall or on the ceiling, back to back and/or one below the other.



This ensures that different cables such as data and electrical power cables do not get mixed.

CHARACTERISTIC:

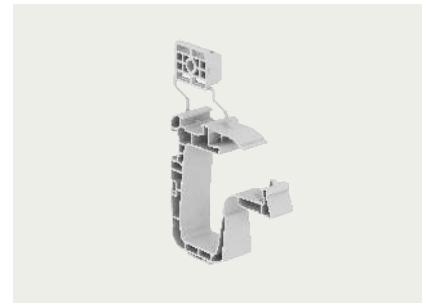
- One-hand mounting
- Easy fixing of the anchor by the free-standing satellite
- The cable clamp serves as a holding tool for fixing
- The cable clamp can simply be attached to the wall or ceiling by simply clicking on the satellite
- Easy opening and closing and repeated opening to insert or add cables
- By inserting the cable clamps is expandable (bayable), all sizes can be used for the extension, either KKS40 or KKS20
- - On the wall with each other
 - On the ceiling, back to back and / or each other
 - This ensures that different cables, such as data cables and power cables, are not routed together. And yet you only need a dowel in the wall or ceiling.
 - For 20 or 40 cables NYM 3 * 1.5mm²

Cable clamp, max. 20 cables KKS20 (OZ110)

For fixing cables on the wall or ceiling.

Polypropylene

Type	Colour	No. of cables NYM 3 x 1.5	Contents PU pcs	Weight	Shipping box PU	Item No.
OZ110 KKS 20	Light grey	20.00	100	2,80	1	904 97 0

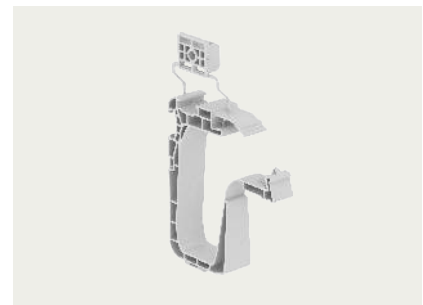


Cable clamp, max. 40 cables KKS40 (OZ111)

For fixing cables on the wall or ceiling.

Polypropylene

Type	Colour	No. of cables NYM 3 x 1.5	Contents PU pcs	Weight	Shipping box PU	Item No.
OZ111 KKS 40	Light grey	40.00	50	1,75	1	904 97 2

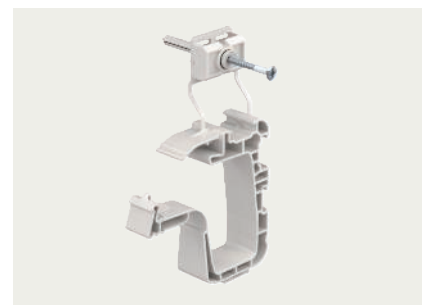


Cable clamp with nail plug, max. 20 cables KKS20 (OZ114)

For fixing cables on the wall or ceiling.

Polypropylene

Type	Colour	No. of cables NYM 3 x 1.5	Plug Ø mm	Plug length mm	Contents PU pcs	Weight	Shipping box PU	Item No.
OZ114 KKS20 6*55	Light grey	20.00	6.00	55.00	100	3,34	1	904 97 8



Cable clamps New Generation

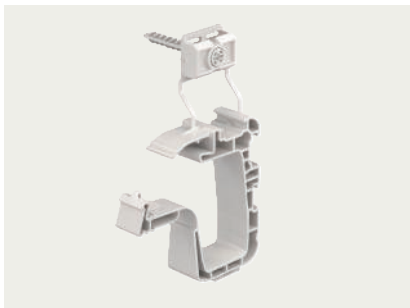


Cable clamp with nail plug, max. 40 cables KKS40 (OZ115)

For fixing cables on the wall or ceiling.

Polypropylene

Type	Colour	No. of cables NYM 3 x 1.5	Plug Ø mm	Plug length mm	Contents PU pcs	Weight	Shipping box PU	Item No.
OZ115 KKS40 6*55	Light grey	40.00	6.00	55.00	50	2,29	1	904 97 9



Cable clamp, flame-resistant, max. 20 cables KKS20F (OZ116)

For fixing cables on the wall or ceiling.

Polypropylene

Type	Colour	No. of cables NYM 3 x 1.5	Plug Ø mm	Plug length mm	Contents PU pcs	Weight	Shipping box PU	Item No.
OZ116 KKS20 STD	Light grey	20.00	5.50	50.00	100	2,92	1	904 98 0



Cable clamp, max. 40 cables KKS40 (OZ117)

For fixing cables on the wall or ceiling.

Polypropylene

Type	Colour	No. of cables NYM 3 x 1.5	Plug Ø mm	Plug length mm	Contents PU pcs	Weight	Shipping box PU	Item No.
OZ117 KKS40 STD	Light grey	40.00	5.50	50.00	50	1,87	1	904 98 1



Cable clamp, flame-resistant, max. 20 cables KKS20F (OZ112)

For fixing cables on the wall or ceiling.

Polypropylene

Type	Colour	No. of cables NYM 3 x 1.5	Contents PU pcs	Weight	Shipping box PU	Item No.
OZ112 KKS 20F	Stone grey	20.00	100	2,80	1	904 97 1

**Cable clamp, flame-resistant, max.
40 cables KKS40F (OZ113)**

For fixing cables on the wall or ceiling.

Polypropylene

Type	Colour	No. of cables NYM 3 x 1.5	Contents PU pcs	Weight	Shipping box PU	Item No.
OZ113 KKS 40F	Stone grey	40.00	50	1,75	1	904 97 3



Cable clamp, metal

CHARACTERISTIC:

- Easy and closing mechanism
- Fastening holes Ø 6 mm
- High mechanical resistance also in heat
- Capacity: 15 or 30 cables NYM 3 x 1,5 mm²
- Material: Steel, strip-galvanised
- In accordance with UK 18th edition wiring regulation



Cable clamp for max. 15 cables KKM15 (MZ044)

For fixing cables on the wall or ceiling.

Steel Strip-galvanised

Type	No. of cables NYM 3 x 1.5	Contents PU pcs	Weight kg/PU	Shipping box PU	Item No.
MZ044 KKM 15	15.00	50	1,53	1	991 21 5



Cable clamp for max. 30 cables KKM30 (MZ044)

For fixing cables on the wall or ceiling.

Steel Strip-galvanised

Type	No. of cables NYM 3 x 1.5	Contents PU pcs	Weight kg/PU	Shipping box PU	Item No.
MZ044 KKM 30	30.00	25	1,55	1	991 21 6



Five good reasons to use the pressure clip KKB:

1. Perfect for suspended ceiling
2. Because of high quality nylon max. opening with small effort
3. Nylon part remains its shape and presses the cables firmly to the ceiling
4. Available with and without pre-assembled nail plug
5. Single-handed mounting

Application / assembly



Hammer-in the ceiling



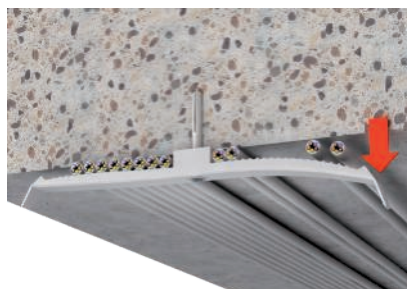
Simply clamp the cables



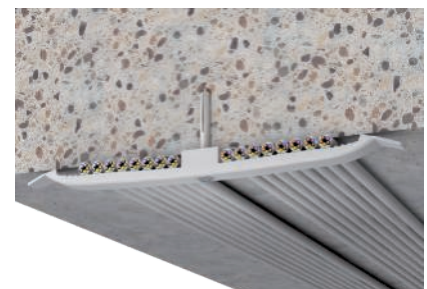
Takes up to 8 cables NYM 3 x 1.5mm²



Hammer-in the ceiling



Simply clamp the cables



takes up to 16 cables NYM 3 x 1.5mm²

Pressure clip, nylon

CHARACTERISTIC:

- Replaces cable trays in ceiling and wall mounting (also for low ceilings)
- Ideal for suspended ceilings
- High level of safety thanks to impact and splinter-resistant nylon (polyamide PA-6)
- High clip flexibility
- Halogen and silicone-free
- "Single-handed" fixing
- Easy opening thanks to large, flexible lips with grip
- Available with and without pre-assembled nail plug
- Pre-assembled nail plug can be knocked in with a hammer and requires no other tools
- Capacity 8, 10 or 16 cables NYM 3 x 1.5 mm²

TECHNICAL DATA:

- Material:
 - Polyamide PA-6, halogen and silicone-free
 - Colour: Grey (RAL7035), KKB-F: dark grey (RAL7030)
 - Temperature resistance:
 - 80 °C, long term
 - 130 °C, short term
 - - 10 °C fixing
 - - 40 °C use
 - KKB-F: Flame resistance according to VDE 0471/DIN IEC 695, test temperature: 960 °C
 - UV-resistant: The product can be used under UV-radiation (weathering) in both dry and warm climates and also in humid, warm climates for at least 5 to 6 years, without any change in the use properties. This also applies to outdoor use



Pressure clip, max. 8 cables KKB 8 (OZ003)

For simple routing of cables in suspended ceilings using knock-in mounting without any additional aids.
Polyamide

Type	Colour	No. of cables NYM 3 x 1.5	Width mm	Length mm	Contents PU pcs	Weight kg/PU	Shipping box PU	Item No.
OZ003 KKB 8	Light grey	8.00	20.00	134.00	100	1,27	4	991 10 9



Pressure clip, max. 16 cables KKB 10/16 (OZ003)

For simple routing of cables in suspended ceilings using knock-in mounting without any additional aids.
Polyamide

Type	Colour	No. of cables NYM 3 x 1.5	Width mm	Length mm	Contents PU pcs	Weight kg/PU	Shipping box PU	Item No.
OZ003 KKB 10	Light grey	10.00	19.00	147.00	50	0,37	4	991 17 7
OZ003 KKB 16	Light grey	16.00	20.00	228.00	50	1,04	4	991 11 7

Pressure clip with nail anchor, max. 8 cables KKB 8 (OZ002)

For simple routing of cables in suspended ceilings using knock-in mounting without any additional aids.

Polyamide

Type	Colour	No. of cables NYM 3 x 1.5	Plug Ø mm	Plug length mm	Contents PU pcs	Weight kg/PU	Shipping box PU	Item No.
OZ002 KKB 8 6*55	Light grey	8.00	6.00	55.00	200	3,31	1	991 17 6



Pressure clip with nail anchor, max. 16 cables KKB 10/16 (OZ002)

For simple routing of cables in suspended ceilings using knock-in mounting without any additional aids.

Polyamide

Type	Colour	No. of cables NYM 3 x 1.5	Plug Ø mm	Plug length mm	Contents PU pcs	Weight kg/PU	Shipping box PU	Item No.
OZ002 KKB10 6*55	Light grey	10.00	6.00	55.00	50	0,64	4	991 17 8
OZ002 KKB16 6*55	Light grey	16.00	6.00	55.00	100	2,19	1	991 16 8



Pressure clip, flame-resistant, max. 8 cables KKB-F 8 (OZ003)

For simple routing of cables in suspended ceilings using knock-in mounting without any additional aids.

Polyamide

Type	Colour	No. of cables NYM 3 x 1.5	Width mm	Length mm	Contents PU pcs	Weight kg/PU	Shipping box PU	Item No.
OZ003 KKB F 8	Stone grey	8.00	20.00	134.00	100	1,27	4	991 11 0



Pressure clip, flame-resistant, max. 16 cables KKB-F 10/16 (OZ003)

For simple routing of cables in suspended ceilings using knock-in mounting without any additional aids.

Polyamide

Type	Colour	No. of cables NYM 3 x 1.5	Width mm	Length mm	Contents PU pcs	Weight kg/PU	Shipping box PU	Item No.
OZ003 KKB F 10	Stone grey	10.00	19.00	147.00	50	0,51	4	991 17 9
OZ003 KKB F 16	Stone grey	16.00	20.00	228.00	50	0,83	4	991 11 8



Pressure clip, nylon



Pressure clip with nail anchor, flame-resistant, max. 8 cables KKB-F 8 (OZ002)

For simple routing of cables in suspended ceilings using knock-in mounting without any additional aids.
Polyamide

Type	Colour	No. of cables NYM 3 x 1.5	Plug Ø mm	Plug length mm	Contents PU pcs	Weight kg/PU	Shipping box PU	Item No.
OZ002 KKB8F 6*55	Stone grey	8.00	6.00	55.00	200	3,31	1	991 11 1



Pressure clip with nail anchor, flame-resistant, max. 16 cables KKB-F 10/16 (OZ002)

For simple routing of cables in suspended ceilings using knock-in mounting without any additional aids.
Polyamide

Type	Colour	No. of cables NYM 3 x 1.5	Plug Ø mm	Plug length mm	Contents PU pcs	Weight kg/PU	Shipping box PU	Item No.
OZ002 KKB F 10 / 6 x 55 mm	Stone grey	10.00	6.00	55.00	50	0,64	4	991 18 1
OZ002 KKB16F6*55	Stone grey	16.00	6.00	55.00	100	2,19	1	991 11 9

CHARACTERISTIC:

- Made of strip-galvanised steel
- Material thickness either 1 mm (acc. to DIN EN 60715) or 1.5 mm (in accordance with DIN EN 60715)
- With and without perforation on the back

Hat profile rail, unperforated, height 7.5 mm (MZ071)

For use in switching and distributor cabinets, as well as in junction boxes.

Steel Strip-galvanised

Type	Height mm	Width external dimension mm	Material thickness mm	Hole shape	Length m	Contents PU pcs	Weight kg/PU	Shipping box PU	Item No.
MZ071 7,5*35*1,0	7.50	35.00	1.00	Without	1.00	1	0,34	1	981 66 0
MZ071 7,5*35*1,0	7.50	35.00	1.00	Without	2.00	1	1,32	25	981 66 9

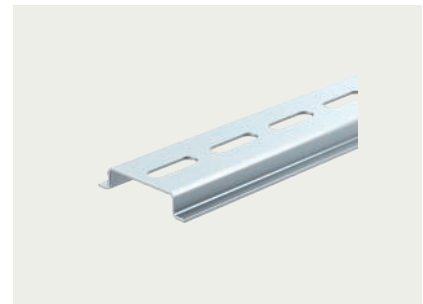


Hat profile rail, perforated, height 7.5 mm (MZ069)

For use in switching and distributor cabinets, as well as in junction boxes.

Steel Strip-galvanised

Type	Height mm	Width external dimension mm	Material thickness mm	Hole shape	Length m	Contents PU pcs	Weight kg/PU	Shipping box PU	Item No.
MZ069 7,5*35*1,0	7.50	35.00	1.00	Long slot	1.00	1	0,33	25	981 65 8
MZ069 7,5*35*1,5	7.50	35.00	1.00	Long slot	2.00	1	0,66	25	981 66 2

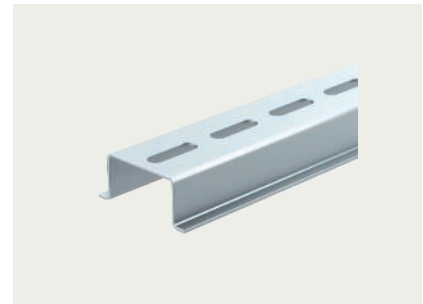


Hat profile rail, perforated, height 15 mm (MZ070)

For use in switching and distributor cabinets, as well as in junction boxes.

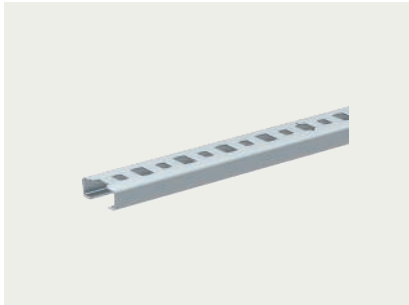
Steel Strip-galvanised

Type	Height mm	Width external dimension mm	Material thickness mm	Hole shape	Length m	Contents PU pcs	Weight kg/PU	Shipping box PU	Item No.
MZ070 15*35*1,5	15.00	35.00	1.50	Long slot	2.00	1	1,22	10	981 66 3



CHARACTERISTIC:

- Made of galvanised steel, either strip galvanised or hot-dip galvanised
- Material thickness between 0.75 mm and 2.0 mm
- With and without perforation on the back
- 16.5 mm slot width is perfectly suited for the use of our U-clamp with hammerhead foot
- Rail with 11 m slot width can be broken off by hand every 10 cm for the right length
- Length: 2 m



11

C profile rail, slot width 11 mm, with perforation, strip galvanised (MZ046)

For use as a support for cable or pipe routing.
Suitable for use with the Snap-on pipe clip OPDZ.
The rail has a predetermined breaking point every 10 cm. This means that the rail can be made the exact length required can be made without any tool.

Steel Strip-galvanised

Type	Height mm	Width external dimension mm	Material thickness mm	Hole shape	Length m	Contents PU pcs	Weight kg/PU	Shipping box PU	Item No.
MZ046G 8*20*0,75	8.00	20.00	0.75	Long slot	2.00	1	0,42	25	981 65 0



16,5

C profile rail, slot width 16.5 mm, without perforation, strip galvanised (MZ047)

For use as a support for cable or pipe routing.
Suitable for use with the U-clamp clip (hammerhead foot).

Steel Strip-galvanised

Type	Height mm	Width external dimension mm	Material thickness mm	Hole shape	Length m	Contents PU pcs	Weight kg/PU	Shipping box PU	Item No.
MZ047UG18*35*1,5	18.00	35.00	1.50	Without	2.00	1	1,80	1	981 65 3
MZ047 UG 18*35*2,0 2	18.00	35.00	2.00	Without	2.00	1	2,42	20	981 65 4



16,5

C profile rail, slot width 16.5 mm, without perforation, hot-dip galvanised (MZ049)

For use as a support for cable or pipe routing.
Suitable for use with the U-clamp clip (hammerhead foot).

Steel Hot-dip galvanised

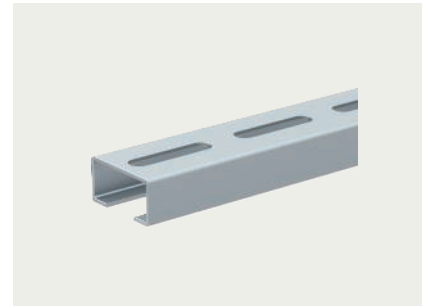
Type	Height mm	Width external dimension mm	Material thickness mm	Hole shape	Length m	Contents PU pcs	Weight kg/PU	Shipping box PU	Item No.
MZ049 UG 18*35*2,0 2	18.00	35.00	2.00	Without	2.00	1	2,43	10	981 65 6

C profile rail, slot width 16.5 mm, with perforation, strip galvanised (MZ046)

For use as a support for cable or pipe routing.
Suitable for use with the U-clamp clip (hammerhead foot).

Steel Strip-galvanised

Type	Height mm	Width external dimension mm	Material thickness mm	Hole shape	Length m	Contents PU pcs	Weight kg/PU	Shipping box PU	Item No.
MZ046G 18*20*1,5	18.00	35.00	1.50	Long slot	2.00	1	1,55	10	981 65 1
MZ046G 35*18*2,0	18.00	35.00	2.00	Long slot	2.00	1	2,16	1	981 65 2



C profile rail, slot width 16.5 mm, with perforation, hot-dip galvanised (MZ048)

For use as a support for cable or pipe routing.
Suitable for use with the U-clamp clip (hammerhead foot).

Steel Hot-dip galvanised

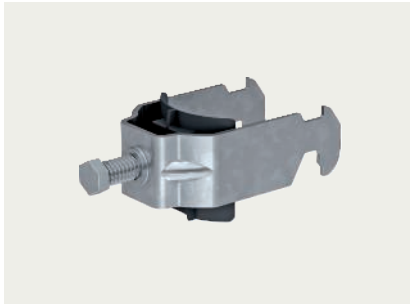
Type	Height mm	Width external dimension mm	Material thickness mm	Hole shape	Length m	Contents PU pcs	Weight kg/PU	Shipping box PU	Item No.
MZ048G18*35*2,0	18.00	35.00	1.50	Long slot	2.00	1	1,78	1	981 65 5



U-Clamp with hammerhead foot for C-profile rail

CHARACTERISTIC:

- Hot-dip galvanised up to 50 µm for professional, long-term use
- With hammerhead foot for use in C profile rails with 16 mm to 17 mm slot
- With hexagonal bolt for quick cable or pipe fixing
- M6 thread, screw head with ATF 10
- With plastic pressure layer made of polypropylene, halogen-free, black



U-clamp with hammerhead foot for C-profile rail (MZ042)

To fasten cables, empty pipes and pipes to C profile rails.

Steel Hot-dip galvanised

Type	Colour	Dimension	Contents PU pcs	Weight kg/PU	Shipping box PU	Item No.
MZ042 / 8-12 mm	Black	8-12	100	3,54	1	904 03 5
MZ042 / 12-16 mm	Black	12-16	100	3,82	1	904 03 6
MZ042 / 16-22 mm	Black	16-22	100	3,96	1	904 03 7
MZ042 / 22-28 mm	Black	22-28	100	6,24	1	904 03 8
MZ042 / 28-34 mm	Black	28-34	100	7,01	1	904 03 9
MZ042 / 34-40 mm	Black	34-40	50	4,13	1	904 04 0
MZ042 40-46	Black	40-46 mm	50	4,15	1	904 04 1
MZ042 46-52	Black	46-52 mm	50	4,74	1	904 04 2
MZ042 52-58	Black	52-58 mm	50	7,15	1	904 04 3
MZ042 58-64	Black	58-64 mm	25	3,90	1	904 04 4
MZ042 64-70	Black	64-70 mm	25	3,46	1	904 04 5
MZ042 70-76	Black	70-76 mm	25	5,15	1	904 04 6
MZ042 76-82	Black	76-82 mm	25	5,50	1	904 04 7
MZ042 82-90	Black	82-90 mm	25	6,55	1	904 04 8
MZ042 90-100	Black	90-100 mm	25	6,95	1	904 04 9

CHARACTERISTIC:

- Prevents cable damage
- Better, simpler cable alignment
- Insulates the cable against the profile rail

Counter-trough for clamp clip made of plastic (MZ043)

For safe, damage-free alignment of cables, empty pipes and pipes in the clamp clip.

Polypropylene

Type	Colour	Dimension	Contents PU pcs	Weight kg/PU	Shipping box PU	Item No.
MZ043 8-12	Black	8-12 mm	100	0,10	27	904 00 0
MZ043 12-16	Black	12-16 mm	100	0,13	27	904 00 1
MZ043 16-22	Black	16-22 mm	100	0,17	27	904 00 2
MZ043 22-28	Black	22-28 mm	100	0,22	18	904 00 3
MZ043 28-34	Black	28-34 mm	100	0,28	12	904 00 4
MZ043 34-40	Black	34-40 mm	50	0,16	18	904 00 5
MZ043 40-46	Black	40-46 mm	50	0,21	18	904 00 6
MZ043 46-52	Black	46-52 mm	50	0,21	18	904 00 7
MZ043 52-58	Black	52-58 mm	50	0,23	18	904 00 8
MZ043 58-64	Black	58-64 mm	25	0,13	27	904 00 9
MZ043 64-70	Black	64-70 mm	25	0,14	27	904 01 0
MZ043 70-76	Black	70-76 mm	25	0,16	20	904 01 1
MZ043 76-82	Black	76-82 mm	25	0,17	20	904 01 2
MZ043 82-90	Black	82-90 mm	25	0,22	20	904 01 3
MZ043 90-100	Black	90-100 mm	25	0,23	20	904 01 4



Row clip for C-profile rail

CHARACTERISTIC:

- Material Clamp Polystyrol PS
- Material Nut Polyamid PA6
- For Cable ø 6-25mm
- Screw Electro galvanized steel
- Drive Screw Cross recess, PH
- Operation temperature -25°C up to +60°C
- Colour RAL 7035, light grey

Easy assembly of pipes or cables by clamping these between two clips. The clips are designed for usage with C-profile rails, 11 mm slot width.

The clips can be easily moved in the profile rail.

Fastening is simple by just tightening the nut. The synthetic body prevents damage to pipes and cables.



Row clip for C-profile rail (OZ098)

To fasten cables, empty pipes and pipes to C profile rails.

Polystyrene

Type	Colour	Dimension	Contents PU pcs	Weight kg/PU	Shipping box PU	Item No.
OZ098 6-25	Light grey	6 - 25 mm	100	0,41	27	903 83 3

Application / assembly



CHARACTERISTIC:

- For quick fixing of cables and pipes to steel supports
- Grip range between 2 mm and 12 mm, depending on the version
- For cables or pipes with diameters between 6 mm and 32 mm, depending on the version

Support clamp for cables and pipes (MZ045)

For fixing pipes and cables to steel supports.

Steel Electrogalvanised, yellow passivated

Type	Clamping range mm	For pipe Ø mm	Contents PU pcs	Weight kg/PU	Shipping box PU	Item No.
MZ045 2/7 6-9	2-7	6.00-9.00	100	0,50	12	904 70 0
MZ045 2/7 10-14	2-7	10.00-14.00	100	0,50	12	904 70 1
MZ045 2/7 15-21	2-7	15.00-21.00	100	0,60	12	904 70 2
MZ045 2/7 22-32	2-7	22.00-32.00	100	0,70	12	904 70 3
MZ045 8/12 6-9	8-12	6.00-9.00	100	0,50	12	904 70 4
MZ045 8/12 6-9	8-12	10.00-14.00	100	0,50	12	904 70 5
MZ045 8/12 15-21	8-12	15.00-21.00	100	0,60	12	904 70 6
MZ045 8/12 22-32	8-12	22.00-32.00	100	0,70	12	904 70 7





5 Appendix






Pictogram explanation 68

Alphabetical table of contents 71



Terms and conditions of sale and delivery 72

Pictogram explanation



















General information

	Do not use continuously outdoors
	Can be used outdoors
	New products
	Halogen-free
	UV-resistant






Conformity symbol

	Communautés Européennes, EC declaration of conformity according to EC directives
	RoHS-conformant





Nail head

	Flat head, embossed
	Flat head, smooth
	Rounded head
	Half rounded head
	Half rounded head, flat
	Flat rounded head
	Countersunk head
	Countersunk head, embossed
	Compression head
	Panel head
	Panhead
	Washer head
	Head for shot nails
	Plastic head
	M4 thread
	M6 thread
	M7 thread
	M8 thread



Nail shank

	Smooth shank
	Fluted shank
	Interrupted fluted shaft
	Embossed shank
	Fluted shaft (ring shaft)






Nail shank

	Screw shank with 5° inclination
	Screw shank with 27.5° inclination
	Screw shank with 60° inclination
	Screw shank with 65° inclination








Nail tip

	Diamond tip
	Ballistic tip
	Round tip







Screw drive

	Philips screw (Pozi 2)
	Combination Philips
	Slot
	Torx
	Hexagon head

Anchor collar

	Without collar
	Narrow collar
	Wide collar
	Mushroom collar
	Countersunk collar
	Wide countersunk collar
	Narrow countersunk collar



Shrink rate

	Shrink rate 2:1
	Shrink rate 3:1
	Shrink rate 4:1
	Shrink rate with inner adhesive 2:1
	Shrink rate with inner adhesive 3:1
	Shrink rate with inner adhesive 4:1






Protection type

	Protection rating IP54
---	------------------------




Voltage

	Nominal voltage 250V
	Nominal voltage 380 V














Voltage

	Nominal voltage 400 V
	Nominal voltage 450 V
	Nominal voltage 600 V
	Nominal voltage 650 V
	Nominal voltage 750 V

Rail

	Slot width 11 mm for C profile
	Slot width 16.5 mm for C profile
	Hammerhead foot for C profile













Material

	Polyamide
	Polyamide 6.6
	Polycarbonate
	Polyethylene
	Polyethylene High Density (HDPE)
	Polyolefin
	Polypropylene
	Polystyrene
	Polytetrafluoroethylene (Teflon)
	Polyvinylchloride
	Acrylonitrile butadiene styrene
	Butyl rubber
	Viscose fabric

Test marks

	Österreichischer Verband für Elektrotechnik
	Verband der Elektrotechnik, Elektronik und Informationstechnik
	Keuring van Elektrotechnische Materialen te Arnhem
	KIWA quality mark
	Eidgenössisches Starkstrominspektorat ESTI
	Svenska Elektriska Materielkontrollanstalten (SEMKO)
	Norme Française (AFAQ AFNOR)
	Norges Elektriske Materielkontroll (NEMKO)
	Finlands Material Kontroll (FIMKO)

Test marks

	Elektrotechnický Zkušební Ústav
	Dansk Elektrisk Materiel Kontrol (DEMKO)
	Comité Electrotechnique Belge/Belgisch Elektrotechnisch Comité (CEBEC)
	Stowarzyszenie Elektryków Polskich (BBJ-SEP)
	Asociación Española de Normalización y Certificación (AENOR)
	Государственные стандарты Российской Федерации (ГОСТ-Р) Gosudarstvennyi standarty Rossiiskoi Federatsii (GOST-R)
	Underwriters Laboratories
	UL Recognized Component Mark
	European Norms Electrical Certification (ENEC) 11 = Country code for ÖVE (Austria)
	American Bureau of Shipping
	Germanischer Lloyd
	Lloyd's Register

Contents, packing unit (PU)

	0.4 kg
	1 kg
	2 kg
	2.5 kg
	5 kg
	1 piece
	10 pieces
	20 pieces
	25 pieces
	30 pieces
	40 pieces
	50 pieces
	100 pieces
	125 pieces
	150 pieces
	175 pieces
	200 pieces

Pictogram explanation

Contents, packing unit (PU)

 250 pieces
 300 pieces
 400 pieces
 500 pieces
 700 pieces
 1,000 pieces
 1.425 pieces

Alphabetical table of contents

C

C profile rail, slot width 11 mm, with perforation, strip, 60 galvanised (MZ046)
C profile rail, slot width 16.5 mm, with perforation,, 61 hot-dip galvanised (MZ048)
C profile rail, slot width 16.5 mm, with perforation,, 61 strip galvanised (MZ046)
C profile rail, slot width 16.5 mm, without perforation,, 60 hot-dip galvanised (MZ049)
C profile rail, slot width 16.5 mm, without perforation,, 60 strip galvanised (MZ047)
Cable clamp for max. 15 cables KKM15 (MZ044), 54
Cable clamp for max. 30 cables KKM30 (MZ044), 54
Cable clamp with nail plug, max. 20 cables KKS20, 51 (OZ114)
Cable clamp with nail plug, max. 40 cables KKS40, 52 (OZ115)
Cable clamp, max. 40 cables KKS40 (OZ117), 52
Cable clamp, flame-resistant, max. 20 cables KKS20F, 52 (OZ112)
Cable clamp, flame-resistant, max. 20 cables KKS20F, 52 (OZ116)
Cable clamp, flame-resistant, max., 53
40 cables KKS40F (OZ113)
Cable clamp, max. 20 cables KKS20 (OZ110), 51
Cable clamp, max. 40 cables KKS40 (OZ111), 51
Cable fastening clip (CC017), 49
Clip, double, 1-hole, ø 5.5 mm, (MZ019), 47
Clip, single, 1-hole, 4.5*6 mm (MZ083), 45
Clip, single, 1-hole, 5.5*7 mm (MZ083), 45
Clip, single, 1-hole, ø 5.5 mm, width 15 mm (MZ020), 45
Clip, single, 1-hole, ø 5.5 mm, width 20 mm (MZ020), 46
Clip, single, 2-hole, ø 6.5 mm (MZ032), 46
Counter-trough for clamp clip made of plastic, 63 (MZ043)

D

DKS clip disc with nail (KG014), 29
Double-WKK-PE cable clip without nail (CC016), 24

E

Expansion joint set for pipe clip KPA (M005), 37

H

Hat profile rail, perforated, height 15 mm (MZ070), 59
Hat profile rail, perforated, height 7.5 mm (MZ069), 59
Hat profile rail, unperforated, height 7.5 mm (MZ071), 59

I

ISO grip clip for 1 cable (OZ062), 41
ISO grip clip for 2 cables (OZ063), 41
ISO pressure clip for 1 cable (OZ060), 40
ISO pressure clip for 2 cables (OZ061), 40

K

KLS clip disc with nail (KG006), 27

M

M6 dowel (KS324), 44

N

Nail anchor SPM M6 (PL029), 40-41, 44
Nail anchor SPS 8*100 (OZ011), 36

O

OKS clip disc with nail (KG008), 28

P

Pipe clamp UNO-LB (OZ035), 39
Pipe clip Clip-Fixx (CC019), 35
Pipe clip KPA grey (OZ006), 36
Pipe clip KPA white (OZ006), 36
Pipe clip UNO-LBD with rubber layer (OZ034), 39

P

Pipe clip, nylon with dowel Ø 6 mm SCP (CP000), 31-32
Pipe clip, nylon with dowel SCP DUO (CP000), 33
Pipe clip, nylon without dowel SCP-M6 (CP000), 31
Pipe clip, nylon without dowel SCP-M6 DUO (CP000), 33
Pressure clip with nail anchor, flame-resistant, max., 58
16 cables KKB-F 10/16 (OZ002)
Pressure clip with nail anchor, flame-resistant, max. 8, 58
cables KKB-F 8 (OZ002)
Pressure clip with nail anchor, max. 16 cables KKB, 57
10/16 (OZ002)
Pressure clip with nail anchor, max. 8 cables KKB 8, 57
(OZ002)
Pressure clip, flame-resistant, max. 16 cables KKB-F, 57
10/16 (OZ003)
Pressure clip, flame-resistant, max. 8 cables KKB-F 8, 57
(OZ003)
Pressure clip, max. 16 cables KKB 10/16 (OZ003), 56
Pressure clip, max. 8 cables KKB 8 (OZ003), 56
Push-in clip STD (OZ054), 16
Push-in clip STH ø 8 mm (OZ078), 17
Push-in clip STHD ø8 mm (OZ078), 17
Push-in clip STS, curved (OZ050), 18
Push-in clip STS, straight (OZ050), 18
Push-in dowel (PG045), 20
Push-in dowel (PG046), 20
Push-through dowel (PG047), 21
Push-through dowel (PG048), 21

R

RKK cable clip, grey (CC012), 22
RKK cable clip, white (CC012), 22
RKS clip disc with nail (KG007), 26
Row clip for C-profile rail (OZ098), 64

S

SKK cable clip (CC008), 25
Snap-On pipe clip, OPDZ 5 mm grey (OZ052), 43
Snap-On pipe clip, OPDZ 6 mm cream KEMA-KEUR, 43
(OZ043)
Snap-On pipe clip, OPDZ 6 mm dark grey KEMA-, 43
KEUR (OZ043)
Snap-On pipe clip, OPDZ 6 mm grey (OZ048), 42
Snap-On pipe clip, OPDZ 6 mm grey KEMA-KEUR, 43
(OZ043)
Spacer clip aluminium (MZ076), 48
Spacer clip metal (MZ033), 48
Spacer clip stainless steel (MZ089), 48
Spacer for pipe clip KPA grey (OZ011), 37
Spacer for pipe clip KPA white (OZ011), 37
Strip for pipe clip UNO-LB/-LBD (OZ023), 39
Support clamp for cables and pipes (MZ045), 65

U

U-clamp with hammerhead foot for C-profile rail, 62
(MZ042)

W

WKK cable clip with nail (CC006), 23
WKK cable clip without nail (CC005), 23
WKK-PE cable clip with nail (CC015), 24
WKK-PE cable clip without nail (CC014), 24

Notes

- Prices and conditions of sale available upon request.
- Weights and no. of pcs. per packing unit are approximate.
- We reserve the right to modify our product specifications without prior notice.
- All transactions are made in accordance with the ORGALIME S2000 general conditions for the supply of "Mechanical, Electrical and Electronic Products" (Brussels, august 2000).

Don Quichotte B.V.

PO Box 60, 5700 AB Helmond
Industrial Zone 9081
Gerstrijk 17, 5704 RG Helmond
The Netherlands
Tel.: +31 (0)492 745 000
Fax.: +31 (0)492 745 099
E-mail: info@don-quichotte.nl
www.don-quichotte.nl

France

French Branch
Horizon 2000 - Mach 3
Avenue des Hauts Grigneux
76420 Bihorel les Rouen
France
Tel.: +33 (0)235 617 077
Fax.: +33 (0)235 612 963
E-mail: info@don-quichotte.fr
www.don-quichotte.fr

- Technical changes are reserved
- Pictures can differ from real product
- Not every article is on stock