

## Cable clamp, max. 20 cables KKS20 (OZ141)



For quick installation of cables in suspended ceilings on walls or ceilings using a concrete nailer or impact installation without the need for additional tools.

Customised installation options enable high flexibility and maximum time savings thanks to the new geometry of the mounting satellite.

**Mounting option 1:**

Conventional fastening with nail plug, screw (a flat-head screw 4.5x50 is recommended) or plug-in dowel

**Mounting option 2:**

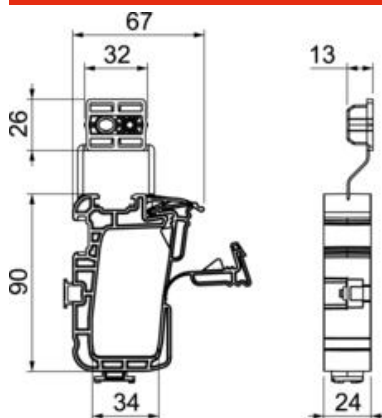
Direct fastening with concrete nailers from brands such as Bosch, Fischer and Spit



### Master data

Item number	905013
Type	OZ141 KKS 20
Description 1	Cable harness KKS 20
Brand	DQ
Dimension	20xNYM 3x1,5mm <sup>2</sup>
Colour	Light grey; RAL 7035
Material	Polypropylene
PU1	100
Unit of quantity	Piece
Weight	2.8 kg
Weight unit	kg/100 pc.

### Dimensions



Length	67 mm
Width	24 mm
Height	90 mm

The worker's choice



## Cable clamp, max. 20 cables KKS20 (OZ141)

### Technical data

No. of conductors NYM 3 x 1.5	20
Flame-resistant version	no
Maintain electrical functions	no
Halogen-free	yes
With anchor	no
Suitable for direct fastening	yes