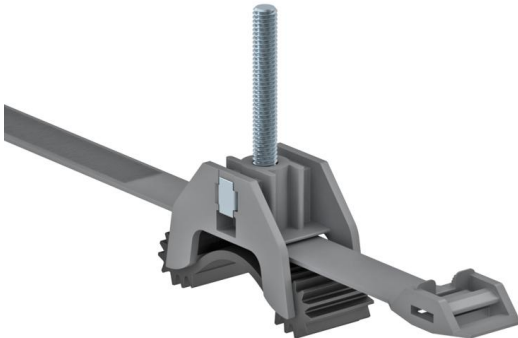


## Pipe clip UNO-LBD with rubber layer (OZ034)

Fixing system consisting of a block and a strip for fixing PVC pipes of Ø 40 mm to Ø 125 mm and pipe types of up to Ø 350 mm (with extension strip), only for suspended mounting. Available with and without soundproof rubber layer. Maximum load 30 kg.



### Master data

Item number	963264
Type	OZ034 M8 40-125
Description 1	Pipe clip
Brand	DQ
Dimension	M8 40-125
Colour	Dusty grey; RAL 7037
Material	Polyamide
PU1	25
Unit of quantity	Piece
Weight	6.58 kg
Weight unit	kg/100 pc.

### Technical data

for pipe diameter	40 - 125
For pipe diameter, max.	125 mm
For pipe diameter, min.	40 mm